



Lago Vista
Independent School District

**High School
Course Guide
2020-2021**

Lago Vista Independent School Guide

High School Course Guide

LAGO VISTA HIGH SCHOOL

Heather Stoner, *Principal*

Stu Taylor, *Assistant Principal*

Meghin Huerta, *Counselor*

Elanna Hylander, *Counselor for College, Career, & Military Readiness*

BOARD OF TRUSTEES

David Scott, *President*

Michael Bridges, *Vice President*

Laura Vincent, *Secretary*

Isai Arredondo, *Trustee*

Jerrell Roque, *Trustee*

Laura Spiers, *Trustee*

Greg Zaleski, *Trustee*

SUPERINTENDENT OF SCHOOLS

Darren Webb

ADMINISTRATION

Dr. Suzy Lofton-Bullis, *Deputy Superintendent*

Jason Stoner, *Director of Finance*

Krystal Colhoff, *Director of Special Education*

Russell Maynard, *Director of Technology*

Eric Holt, *Principal of Lago Vista Middle School*

Stacie Davis, *Principal of Lago Vista Intermediate School*

Michelle Jackson, *Principal of Lago Vista Elementary School*

Craten Phillips, *Athletic Director*

DISTRICT MISSION STATEMENT

Lago Vista ISD will equip students for the rigors of the 21st century by preparing them for a global-based digital economy. Lago Vista ISD will be recognized as a leader in educational innovation through technology, facilities, curriculum, volunteerism, and instruction.

It is the policy of Lago Vista Independent School District not to discriminate on the basis of race, color, national origin, sex or handicap in any programs, services or activities as required by Title VI of the Civil Rights Act of 1964, as amended; Title IX of the Education Amendments of 1972; and Section 504 of the Rehabilitation Act of 1973, as amended. For information about your rights, or grievance procedures, contact Darren Webb, Superintendent, 8039 Bar-K Ranch Road, Lago Vista, TX 78645, 512-267-8300.

Es norma de Lago Vista Distrito Escolar Independiente de no discriminar por motivos de raza, color, origen nacional, sexo o impedimento, en sus programas, servicios o actividades, tal como lo requieren el Título VI de la Ley de Derechos Civiles de 1964, según enmienda; el Título IX de las Enmiendas en la Educación, de 1972, y la Sección 504 de la Ley de Rehabilitación de 1973, según enmienda. Para información sobre sus derechos o procedimientos para quejas, comuníquese con Darren Webb, Superintendente, 8039 Bar-K Ranch Road, Lago Vista, TX 78645, 512-267-8300.



LAGO VISTA INDEPENDENT SCHOOL DISTRICT

P.O. Box 4929 Lago Vista, TX 78645
(512) 267-8300 • (512) 267-8304 (Fax)

Dear Parents and Students,

Lago Vista Independent School District is proud to offer an academic program designed to prepare all students for success on the path to high school graduation and beyond. At the secondary level, students have the opportunity to choose from a full range of courses, including advanced academics, an array of career and technology programs, fine arts, and a comprehensive selection of elective courses.

In middle school and high school, reviewing and selecting courses is the most important step in planning an academic program of study. This course guide is provided to assist students and parents in making wise decisions concerning programs and course choices. Please carefully review the information in this guide prior to course selection for the upcoming year. Students are urged to discuss their course choices with their parents and to consider how certain courses meet their individual goals, graduation requirements, and expectations for college and/or career.

It is extremely important that students and parents give careful consideration to selecting appropriate courses. The choices that students make on spring course selection sheets determine the master schedule and teacher assignments for the upcoming year. Please understand that insufficient course enrollment may result in a particular course being removed from the master schedule, so it is important to pay attention to alternate elective choices during the course selection process. The campus reserves the right to cancel any course offering if a minimum student enrollment requirement is not met or if a certified staff member is not available to teach the course.

Lago Vista ISD staff will help inform, monitor, and advise students and parents regarding programs of study and graduation requirements, but it is ultimately the responsibility of both students and parents to select courses that meet individual goals and graduation plan requirements. If you have any questions, or need more information about the various resources, services, and programs available, you are encouraged to contact the campus counselor.

With careful and thoughtful planning, along with strong communication with teachers, counselors, administrative staff and parents, secondary students will be well on their way to achieving success in their academic pursuits at Lago Vista ISD.

Sincerely,

A handwritten signature in black ink that reads "Suzy Lofton-Bullis".

Dr. Suzy Lofton-Bullis
Deputy Superintendent
Lago Vista ISD

Scheduling Information

Course Selection & Availability

Courses are offered according to student need and teacher availability. It is very important that students and parents give careful consideration to selecting appropriate courses each spring in preparation for the following year.

The choices students make on the course selection sheets determine the master schedule of course offerings available. The master schedule determines teacher assignments. Though never perfect, it is designed to maximize student opportunities and minimize scheduling conflicts. Master schedule changes may be affected by insufficient course enrollment or instructor availability. Students should pay particular attention to the alternate electives they select during the course selection process. To avoid schedule conflicts, a student may be placed in one or more of his or her alternate selections. If no alternates are indicated, a student will be placed in an elective that fits his/her schedule and graduation plan.

If needed, a student's course selection may be adjusted in order to meet graduation and endorsement requirements.

Schedule Corrections

Schedule corrections will be considered during the first week of school for the following reasons only:

- The student is a senior and does not have a course required for graduation.
- The student does not have the prerequisites for a course.
- Course credit was previously received (e.g., through summer school, transfer coursework, correspondence courses, credit by examination, etc.)
- A data entry error made by the school (e.g. two first period classes, a schedule that does not contain the full number of classes, etc.)
- Student has been dismissed from a program where approval must be granted for placement.
- Student has previously failed this course with the same teacher.

Schedule corrections do not require a parent signature.

Consideration of Course Change Requests

After the initial student course selections are made during the spring semester, any request to change a course for reasons other than those listed above will only be considered in the event of a compelling educational circumstance and will require administrator approval and a parent confirmation. These requests must be submitted to the Guidance Office no later than **July 15th**. Course change requests submitted prior to the deadline will be considered in the order that they are received and will be subject to course availability and master schedule flexibility.

In order to schedule efficiently and effectively, student courses will not be changed to select different teachers, lunch periods, or an alternate elective. Please see the exit guidelines for high School College Readiness or AP courses for information on course-level changes.

General Information

Attendance

It is important to note that poor attendance adversely affects grades. To receive credit or a final grade in a class, a student in kindergarten–grade 12 must attend at least 90 percent of the days the class is offered. By failing to meet state minimum standards for days in class, students lose credit for the class even if a passing grade is earned. Please refer to the student handbook for additional information.

Career & Technical Education Courses

All students have the opportunity to enroll in Career and Technical Education (CTE) courses along with the more traditional core academic courses. Ideally, students create balanced 4-year plans that include the best of both academic and CTE classes. Enrollment in CTE courses is open to all qualified students without regard to race, color, creed, religious affiliation, sex, or handicapping conditions.

Credits Earned in Middle School

Lago Vista ISD offers some courses designated for grades 9-12 in middle school. Satisfactory completion of high school courses in middle school shall be reflected on the student's academic achievement record, and the student will be awarded state graduation credit. Grades earned in high school courses take in middle school will be included in the student's high school Grade Point Average (GPA), as specified in policy.

Students who satisfactorily complete Algebra I and/or Geometry in middle school should plan to continue with higher-level mathematics courses in grades 9-12.

Students who successfully complete Spanish I in middle school may use this unit earned to satisfy one of the two LOTE credits required for graduation.

Students who successfully complete Marching Band/Concert Band in middle school may use this unit earned to satisfy the fine art credit required for graduation and may count the course as a .5 PE substitution. Band is excluded from rank calculations.

Credit Recovery for Failed Courses

Lago Vista ISD uses an online self-paced computer program for credit recovery primarily for juniors and seniors.

Students work on the computer during the school day as a scheduled class or during scheduled time outside the school day (including summer school) to regain credits for courses in which they have already taken, but failed.

Students must apply and be approved by the campus principal to be in the credit recovery class period. See the campus counselor for more information on credit recovery eligibility.

Student athletes need to check with the NCAA Eligibility Center concerning their policy for accepting or rejecting CBEs, correspondence courses, Odysseyware courses, etc. at <http://www.eligibilitycenter.org>.

Eligibility Requirements for UIL Activities

Lago Vista ISD competes in a number of academic and athletic extra-curricular activities to provide enrichment opportunities for students. To participate, students must maintain academic eligibility. To do so, students must maintain a grade of 70% or higher in all academic subjects other than UIL exempt or locally exempt advanced courses.

Districts may identify additional honors courses in the subject areas of English language arts, mathematics, science, social studies, economics, or a language other than English for the purposes of extracurricular eligibility, but must identify such courses before the semester in which any exemptions related to extracurricular activities occur.

Lago Vista ISD values academic rigor and relevance in student course work and upholds higher standards than the UIL in regards to grade exemptions in advanced level course work. Students may be granted a waiver if they fail an advanced academic (College Readiness, AP, OnRamps, or Dual Credit) course with a grade of 60-69 percent. Students will only be eligible for one waiver per course, per academic year. UIL Eligibility Waivers require administrator approval, approval of the coach/sponsor, and a parent signature.

Grading

Report cards are issued each nine weeks throughout the school year. In addition to report cards, the school also distributes interim progress reports every three weeks. Please see the Lago Vista ISD Grading Guidelines for additional information.

The following letter and number grading scale applies to all mastery-related grade-levels:

- A 90 -100
- B 80 - 89
- C 70 - 79
- F 69 or below

Calculation of Semester Average

All secondary courses will calculate and report a semester average. Calculated averages reported on progress reports or report cards may not exceed 100%. Grades recorded in a grade book represent a confidential record for assessment of student performance.

1st Semester Grade: The semester average is determined using the nine-week averages and the semester/final exam.

- 1st Nine-Week Average = 40%
- 2nd Nine-Week Average = 40%
- Semester/Final Exam = 20%

2nd Semester Grade: The semester average is determined using the nine-week averages and the final exam.

- 3rd Nine-Week Average = 40%
- 4th Nine-Week Average = 40%
- Final Exam = 20%

Calculation of Yearlong Average

For a two-semester course in which both semesters are completed, the semesters will be averaged together. If the final grade averages to 70% or higher, full credit will be awarded. Half credit will be awarded each semester.

- 1st Semester = 50%
- 2nd Semester = 50%

Grade Averaging

For a two-semester course, each semester's grade stands on its own; however, a final passing grade will be awarded if the average of both semesters is at least 70%. Students transferring in during the spring semester with a failing grade in the fall semester of the same academic year may receive a passing grade for the year under this policy.

When a student earns a passing grade in only one semester of a two-semester course and the combined grade for the two semesters is lower than 70%, the District shall award the student credit for the semester with the passing grade. The student will be required to retake the semester in which he or she earned the failing grade.

Honor Roll

All A Honor Roll - Students must be taking at least four classes and have an un-weighted grade point average of 4.0 or above in all classes.

A & B Honor Roll - Students must have an un-weighted grade point average of 3.75 or above and grades not lower than 3.0 in 2 classes and a 4.0 in all other classes.

Note: Pass/Fail and dual credit classes for which 9-weeks grades are not reported do not count toward Honor Roll.

GPA and Class Rank

Class rank is the academic position a student has in relation to other students in the grade level. The student with the highest rank average is number one in the grade level and the student with the lowest rank average is the last student in the grade level. All other students are ranked in between highest (number one) and lowest (last). Class rank is reported comparing that student to the total number of students in the grade level. Courses are weighted for rank based on the level of difficulty. For example, given 150 students in a grade level, the highest ranked student (number one) would be reported as 1 of 150; lowest ranking student would be reported as 150 of 150.

Weighted class ranking encourages students to take more challenging academic courses in preparation for further learning after high school. Institutions of higher learning require a student's class rank for admission purposes. Class ranking shall be determined by averaging all semester grades earned in grades 9–12, with the exceptions noted below. Courses taken in middle school for state graduation credit shall also be used for class rank calculation. Grades transferred from other schools shall be credited in conformity with the course descriptions approved for the established grading system.

Grades earned in band, physical education, athletics, any academic course substituted for physical education, any type of student aide elective, a pass/fail course, credit earned by exam (with or without prior instruction), courses taken through credit recovery, courses taken through summer school, courses taken in any non-accredited school, including homeschool, or any local credit course shall not be used for class rank purposes.

The District uses a weighted GPA scale to calculate class rank. Advanced Placement, Dual Credit, OnRamps, College Readiness, and other eligible courses listed in policy shall receive extra weight.

Grade Level Classifications

All students entering high school as a freshman will need to meet the following credit requirements.

Freshman	1st year	0-6.5 earned credits
Sophomore	2nd year (+)	7-13.5 earned credits
Junior	3rd year (+)	14-20.5 earned credits
Senior	4th year (+)	21 earned credits

These classifications are based on the number of credits actually completed prior to registration.

Language Other Than English (LOTE) Substitutions

The Foundation High School Program (FHSP) requires a student to have two levels of language other than English (LOTE). If a student, in completing the first credit in LOTE with a 70- or above, demonstrates that he/she is unlikely to be able to complete the second level, a committee consisting of the LOTE Level 1 teacher, the principal or designee, and the student's parent/guardian will be formed to determine if LOTE substitutions will be allowed.

If a substitution is granted, it will ONLY satisfy the credit required for the LOTE Level II course and will not be considered as part of a coherent sequence of LOTE courses required for any endorsement. In addition, it may not fulfill the requirement for admissions into the college/university for which the student is applying. Most universities require two years of the same foreign language; and a substitution course may not fulfill this requirement. It is the student's responsibility to check with the college/university to determine admission requirements.

A student, who due to a disability, is unable to complete two credits in the same language in LOTE, may substitute a combination of two credits from:

- English Language Arts;
- Mathematics;
- Science;
- Social Studies;
- Career and Technical Education; or
- Technology Applications.

The determination regarding a student's disability to complete the LOTE credit requirements will be made by:

- The student's ARD committee if the student receives special education services, or
- The committee established for the student under Section 504 of the Rehabilitation Act of 1973.

NCAA Guidelines

The National Collegiate Athletic Association (NCAA) is an organization that determines if a high school athlete qualifies to receive scholarship monies from Division I or Division II colleges or universities. No university may award a scholarship to a student without the approval of the high school student's high school transcript by the NCAA.

Students who are interested in competing at the university level are encouraged to be well informed of the requirements for NCAA approval. Students should register with the NCAA at the Student Eligibility Center their junior year in high school and order an official transcript from Lago Vista ISD to be sent to the NCAA Clearinghouse. Final approval by NCAA for a scholarship will be made upon the receipt by the NCAA

of a final Graduated Transcript sent by Lago Vista ISD the month after a student graduates from Lago Vista High School. The NCAA requires specific courses and grades as well as corresponding ACT or SAT test scores for approval. Please see the campus counselor for details. Student athletes should check with the NCAA Eligibility Center concerning their policy for accepting or rejecting summer school, CBEs, correspondence courses, Odyssey Ware courses, etc. at <http://www.eligibilitycenter.org>.

Personal Graduation Plans

A Personal Graduation Plan (PGP) will be designed for each student and will include, among other items, the student's educational goals and a program of studies for the student.

Physical Education Substitutions

Physical Education substitution credit may be awarded for successful completion of certain courses based on the physical activity in the courses. Students may earn Physical Education substitution credits through participation in the following physical activities: Marching Band (one credit maximum); and Athletics (four credit maximum). Credits may not be earned for a PE course more than once and no more than four substitutions may be earned. In order for a student to earn credit for one of these activities, the activity must include at least 100 minutes per five-day school week of moderate to vigorous physical activity. Upon completion of one semester's participation in one of these activities, the student is awarded a PE substitution credit.

Required Instruction

As a condition of accreditation, the District is required to provide instruction in the Texas Essential Knowledge and Skills at appropriate grade levels in the foundation and enrichment curriculum outlined by the State. The Texas Education Code requires the District to provide instruction leading to student mastery of the Texas Essential Knowledge and Skills (TEKS) in the foundation curriculum areas of English Language Arts/Reading, Mathematics, Science, and Social Studies. Required instruction in the enrichment curriculum areas includes Languages Other Than English (LOTE), Health, Physical Education, Career and Technical Education, Technology Applications, and Personal Financial Literacy.

Transcript of Credits

Many schools and colleges require students to submit a copy of their high school record before entering. If students plan to move to another school district, students should request the registrar to send the transcript to the student's new school at the time of withdrawal. If a student plans to attend college, the transcript should be requested sufficiently early for receipt by the college registrar before the end of July. Transcripts will be sent only by request. Students under the age of 18, who want their test scores sent to a college, must have a parent signature of approval.

Transfer Credit

A student who transfers into the District high school shall receive similar credits counted toward the GPA or weighted numerical grade average according to the list of courses offered in the District and the grade point scale or weighted numerical grade average used for credit earned in the District. Students transferring into the District from a school with a comparable grading scale shall receive the numerical

grade that was earned in courses at another school. Letter grades shall be recorded as follows:

A+ = 97	B+ = 87	C+ = 79	D+ = 74	F = 69
A = 94	B = 84	C = 77	D = 72	
A- = 90	B- = 80	C- = 75	D- = 70	

Transfer Placement

Records and transcripts of students from Texas nonpublic schools or from out of state or out of the country (including foreign exchange students) shall be evaluated, and students shall be placed promptly in appropriate classes. The District may use a wide variety of methods to verify the content of courses for which a transfer student has earned credit.

A student enrolling from Texas nonpublic schools or from out of state or out of the country (including home schooling) will need to demonstrate mastery of basic skills up to the grade level to which he/she is assigned. Students may be given a credit by exam assessment offered by the University of Texas or Texas Tech University.

Unit Assessments & Semester Examinations

Lago Vista High School unit tests and semester examinations are not released to students in order to maintain the security of the items on these assessments. In order to view these tests, parents may contact the campus principal.

Student Services

English Language Learner Services

Each school district is required to offer an English as a Second Language (ESL) Program and shall provide each English Language Learner (ELL) the opportunity to be enrolled in the required program at his or her grade level. ESL programs include intensive instruction designed to develop proficiency in listening, speaking, reading, and writing in the English language. Instruction in ESL shall be commensurate with the student's level of English proficiency and his or her level of academic achievement. In high school, the ESL Program shall be consistent with graduation requirements under Chapter 74.

Sheltered instruction occurs in general education content-specific classes offered to English Language Learners (ELLs) for state credit in high school. A sheltered content class incorporates second language acquisition strategies and support systems to communicate meaning in the content area. Teachers certified in a content area and trained in sheltered instruction teach these sheltered classes. The sheltered classes cover all mandated TEKS; incorporate English Language Proficiency Standards (ELPS); and focus on adapting the instructional pacing and methods and accommodating materials for instruction.

Gifted and Talented Services

In Lago Vista ISD, the needs of Gifted and Talented students are met in several ways. In the four core subject areas – Language Arts, Mathematics, Science and Social Studies – identified gifted students may choose to participate in Pre-Advanced Placement and Advanced Placement courses with gifted instruction being provided by teachers trained in

both Gifted Education and Advanced Placement methodologies. Identified gifted students may also choose to participate in the Independent Study Mentorship (ISM) course.

In order for students to remain active in the G/T Program, they must participate in College Readiness, Advanced Placement, Dual Credit, or ISM coursework. Students who do not participate in any of these courses may choose to "furlough" those requirements for a year. If a student furloughs for more than one year, they may be exited from the program.

Section 504 Services

Section 504 of the Rehabilitation Act and the Americans with Disabilities Act prohibits discrimination and assures that disabled students have educational opportunities and benefits equal to those provided to non-disabled students. Students determined by a properly convened 504 committee to have a physical or mental impairment that substantially limits a major life activity, thus a disability, are eligible for services under Section 504 and the ADA. Parents, teachers, administrators, or any other District employees who know of or suspect a student may have a disability, or may require special services, should contact the campus Section 504 Coordinator for information regarding evaluation and services.

Dyslexia Services

Lago Vista ISD offers services for students who are identified as dyslexic. Dyslexia services are designed to provide comprehensive reading, writing, and spelling instruction for students who have been identified as dyslexic. The program provides a continuum of services that address phonemic awareness, grapho-phonemic knowledge, language structure, and linguistic patterns and processes. The Section 504 committee on each campus determines placement in the dyslexia program.

Special Education Services

Each local school has the responsibility for providing educational and related services to eligible students in the least restrictive environment, and ensuring students with disabilities have the opportunity to participate in educational programs and activities with students without disabilities to the extent appropriate. If a student has or is suspected of having a disability and requires specialized services, parents, teacher, administrators or any other district employee should contact a campus counselor for information concerning the special education referral process. The District curriculum enables each student with disabilities to acquire knowledge and skills in the basic areas of learning commensurate with the student's needs and abilities. These skills may be attained through special education accommodations, modification, or instruction and related services, as determined by the admission, review, and dismissal (ARD) committee. The ARD committee shall determine the appropriate instructional setting for each student, and these shall be specified in the student's Individualized Education Program (IEP).

Graduation Information

Preparation for Graduation

Students are encouraged to meet on a regular basis with their counselor in preparing a graduation plan and checking on progress toward fulfilling the academic requirements for graduation. The ultimate responsibility for ensuring that all requirements are met rests with the student and his/her parents.

Foundation High School Program (FHSP)

Students enrolled in high school in the 2014–2015 school year and after graduate under the Foundation High School program. The District credit requirements under these programs are listed below.

Foundation High School Program (FHSP) Only

The FHSP without an endorsement (22 credits) can be considered at the beginning of the junior year. However, this requires that a meeting be held with the counselor, parent/guardian, and student to discuss post-secondary implications. The District requires completion of 6 credits (28 credits total) in addition to the number required by the state for graduation under the Foundation High School Program without an endorsement. Graduation under the FHSP without an endorsement shall be permitted only as authorized under state law and rules.

Foundation High School Program (FHSP) with Endorsement

The FHSP with an endorsement requires a minimum of 26 credits. Students must choose an “Endorsement,” or area of concentration, upon entering the ninth grade. Achieved endorsements will be noted on high school diplomas. Students can earn an endorsement by successfully completing the “Program of Study” requirements in the endorsement areas. Please see the specific course requirements for each program of study area listed in the course guide. The District requires completion of 2 credits (28 credits total) in addition to the number required by the state for graduation under the FHSP with an Endorsement.

Distinguished Level of Achievement

A student can graduate under a Distinguished Level of Achievement if they complete the FHSP with an endorsement and complete Algebra II. **Qualification for Automatic Admission (top 10%) to Texas state colleges and universities requires students to complete the Distinguished Level of Achievement.** The District requires completion of 2 credits (28 credits total) in addition to the number required by the state for graduation under the FHSP with the Distinguished Level of Achievement.

Performance Acknowledgements

Students graduating on the Foundation High School Program can earn Performance Acknowledgements on their transcript and diploma for outstanding performance in a dual credit course; in bilingualism and bi-literacy; on a college AP exam or IB exam; on the PSAT, ACT-PLAN, SAT or ACT; and by earning a nationally or internationally recognized business or industry certification or license. A student earning a performance acknowledgment shall submit an

application to have the performance acknowledgment added to his/her diploma.

Bilingualism and Bi-literacy Performance Acknowledgement

A student may earn a Performance Acknowledgement on the student’s diploma and transcript for outstanding performance in bilingualism and bi-literacy by demonstrating proficiency in accordance with Lago Vista ISD grading policy in two or more languages by:

1. Completing all English language arts requirements and maintaining a minimum grade point average (GPA) of the equivalent of 80 on a scale of 100, and
2. Satisfying one of the following:
 - Completion of a minimum of 3 credits in the same language other than English with a minimum GPA of the equivalent of 80 on a scale of 100; or
 - Demonstrated proficiency in the Texas Essential Knowledge and Skills for Level IV or higher in a language other than English with a minimum GPA of the equivalent of 80 on a scale of 100; or
 - Completion of at least 3 credits in a foundation subject area course in a language other than English with a minimum of 80 on a scale of 100; or
 - Demonstrated proficiency in one or more languages other than English through one of the following methods:
 - A score of 3 or higher on a College Board AP exam for a language other than English; or
 - A score of 4 or higher on an IB exam for a higher-level language other than English course; or
 - Performance on a national assessment of language proficiency in a language other than English of at least Intermediate High or its equivalent.

In addition to meeting the requirements to earn a Performance Acknowledgement in bilingualism and bi-literacy, an English language learner must also have participated in and met the exit criteria for a bilingual or English as a Second Language (ESL) program and scored at the Advanced High level on the TELPAS.

Dual Credit Performance Acknowledgement

A student may earn a Performance Acknowledgement on the student’s diploma and transcript for outstanding performance in a dual credit course by successfully completing:

1. At least 12 hours of college academic courses, including those taken for dual credit as part of the Texas core curriculum, and advanced technical credit courses, including locally articulated courses, with a grade of 3.0 or higher on a scale of 4.0, or
2. An associate degree while in high school.

AP Performance Acknowledgement

A student may earn a Performance Acknowledgement on the student’s diploma and transcript for outstanding performance on an AP exam by earning a score of 3 or above on at least one AP exam.

PSAT, the ACT-PLAN, the SAT, or the ACT Performance Acknowledgement

A student may earn a Performance Acknowledgement on the student's diploma and transcript for outstanding performance on the PSAT, the ACT-PLAN, the SAT, or the ACT by:

1. Earning a score on the PSAT that qualifies the student for recognition as a commended scholar or higher by the College Board and National merit Scholarship Corporation, as part of the National Hispanic Recognition Program of the College Board; or
2. Achieving the college readiness benchmark score on at least two of the four subtests on the ACT-PLAN exam;
3. Earning a combined reading and mathematics score of at least 1250 on the SAT; or
4. Earning a composite score on the ACT exam of 28 (excluding the writing sub-score).

Business or Industry Certification or License Performance Acknowledgement

A student may earn a Performance Acknowledgement on the student's diploma and transcript for earning a nationally or internationally recognized business or industry certification or license with:

1. Performance on an exam or series of exams sufficient to obtain a nationally or internationally recognized business or industry certification, or
2. Performance on an exam sufficient to obtain a government-required credential to practice a profession.

Nationally or internationally recognized business or industry certification shall be defined as an industry validated credential that complies with knowledge and skill standards promulgated by a nationally or internationally recognized business, industry, professional, or governmental entity representing a particular profession or occupation that is issued by or endorsed by:

- A national or international business, industry, or professional organization, or
- A state agency or other governmental entity, or
- A state-based industry association.

Certifications or licensures for performance acknowledgements shall:

- Be age appropriate for high school students;
- Represent a student's substantial course of study and/or end-of-program knowledge and skills;
- Include an industry recognized exam or series of exams, an industry validated skill test, or demonstrated proficiency through documented, supervised field experience; and
- Represent substantial knowledge and multiple skills needed for successful entry into a high skill occupation.

STAAR (State of Texas Assessments of Academic Readiness) End of Course Requirements for Graduation

Students will take the State of Texas Assessments of Academic Readiness (STAAR) exam at the end of English I, English II, Algebra I, Biology, and U.S. History. In order to graduate, a student must meet or exceed the passing score on each STAAR EOC assessment. The performance standard needed to meet the testing requirement for graduation is based on the performance standard in place

when students take their first EOC test and will apply to all five EOC assessments.

STAAR EOC retest opportunities will be available for students needing to retest. Students who, upon completion of Grade 11, are unlikely to pass one or more EOCs shall be required to enroll in a corresponding content-area preparatory class and take an end-of-course assessment for that course. Retests will be offered during the summer, fall, and spring administrations of STAAR. Specific substitutions for EOCs are allowed and include AP, IB, PSAT, ACT-PLAN, SAT, and ACT scores. It is the student's responsibility to check with their counselor to determine if he/she is eligible for a substitution. The ARD committees shall determine whether students receiving special education services are required to pass EOCs to receive a high school diploma.

According to Senate Bill 149, passed in April 2015, a student who has taken but failed to achieve the EOC assessment graduation requirements for no more than two courses may graduate if granted a recommendation from the campus Individual Graduation Committee (IGC). In order to be eligible for IGC consideration, the student must continue to retest at every eligible opportunity.

**Please note that ELL students within their first three years in US schools who exercise the English I Special Provision must include that assessment as one of the two assessments missing Level II Satisfactory Performance for IGC consideration.*

Armed Services Vocational Aptitude Battery (ASVAB) Opportunity

The Armed Services Vocational Aptitude Battery (ASVAB) Career Exploration Program facilitates career planning and exploration, combining a multiple-aptitude test with an interest self-assessment and wide range of career exploration tools. The test is a multiple- aptitude battery that measures developed abilities and helps predict future academic and occupational success. SB 1843 requires all school districts to provide students in grades 10-12 an opportunity to take the ASVAB test and consult with a military recruiter. The test is FREE and is offered to all interested 10th - 12th grade students each school year. A student does not need to join the military to take the ASVAB. Results from the test are shared with the individual student and campus only.

Financial Aid Application Requirement

Pursuant to HB 535, before graduating from high school, each student must complete and submit a free application for federal student aid (FAFSA) or, if applicable, a Texas application for state financial aid (TASFA). This applies beginning with students enrolled at the 12th grade level during the 2020-2021 school year. For more information, please see the campus counselor.

Early Graduates

To be eligible to graduate early, a student shall complete all coursework and state-mandated testing required of the ninth grade class in which he or she begins high school. A student who completes the high school program in fewer than four years shall be ranked in the class with which he or she actually graduates. Early graduates shall not be eligible for valedictorian or salutatorian honors.

Local Graduation Honors

For the purpose of determining honors to be conferred during graduation activities, the District calculates class rank using grades available at the time of calculation at the end of the third nine-week grading period of the senior year. The grade for the third nine-week grading period shall be used as the semester grade for this purpose. For the purpose of applications to institutions of higher education, the District shall also calculate class rank as required by state law. The District's eligibility criteria for local graduation honors shall apply only for local recognitions and shall not restrict class rank for the purpose of automatic admission under state law.

All eligible students whose rank point averages comprise the top ten percent of the graduating class as determined by the District's class rank procedure described in this policy shall be recognized at graduation. The residency requirement necessary for valedictorian and salutatorian shall not be applicable to these students.

The valedictorian and salutatorian shall be the eligible students with the highest- and second-highest ranking as determined by the District's class rank procedure. In order to be awarded valedictorian and salutatorian honors, a student must complete the foundation program with at least one endorsement. To be eligible, a student must also have been continuously enrolled in the District high school for the three semesters immediately preceding graduation.

Advanced Academic Courses

Lago Vista ISD recognizes the value of advanced academic coursework and encourages all students to graduate high school with at least one advanced academic course, such as College Readiness (formerly Pre-AP), Advanced Placement, Dual Credit, or OnRamps. In these courses, students will develop the skills, habit of mind, and concepts needed to succeed in college. The depth of material in advanced academic courses often requires students to read and write extensively in and out of class.

To be successful in advanced academic courses, students are expected to have:

- The ability to go above and beyond what is asked;
- Good time management skills;
- Strong reading and writing skills;
- High interest in subject matter;
- The willingness to accept critical feedback; and
- The ability to know when and how to ask for help.

Characteristics for Success in Advanced Courses

While Lago Vista ISD encourages all students to access advanced coursework, parents and students should weigh this decision carefully. It is important to ensure that the student demonstrates the habits of mind that are likely to lead to success in academically rigorous classes.

In order to ensure success in advanced courses, students who wish to enroll in these courses are expected to demonstrate the following characteristics:

- Reads on or above grade level
- Strong study skills and self-motivation
- Proficient oral and written communication skills
- Self-discipline to plan, organize, and carry out tasks to completion
- Interest and self-directedness in a particular subject

Students and parents are encouraged to carefully review the entry guidelines included in this course guide for additional information on enrolling in advanced coursework.

How Many Advanced Courses Should a Student Take?

Students are encouraged to challenge themselves but also to find a balance among advanced courses, extra-curricular activities, and outside activities. Students should not feel that they have to take all classes at the advanced level. Consideration for the number of advanced courses a student should take depends on the student's motivation, self-discipline, and available time outside of class. Students are encouraged to take advanced courses that are appropriate to their interests and academic strengths.

College Readiness (Formerly Pre-AP) Courses

College Readiness courses are designed to challenge students beyond grade-level academic work and to prepare students for college-level courses. It is recommended, but not required, that students wishing to take AP, OnRamps, and Dual Credit courses participate in College Readiness courses. To this end, the district has developed an inclusive enrollment model for College Readiness courses. Students are encouraged to access the more rigorous coursework in which they can be successful, which is generally defined as earning a C or better for the semester average.

College Readiness courses at the high school include activities and strategies designed to engage students in active, high-level learning. Depth of material requires students to read and write extensively in and out of class.

Advanced Placement (AP) Courses

Advanced Placement Courses are developed by the College Board and are designed to provide college level studies for high school students using college level materials and strategies. Amount and depth of material requires students to read and requires students to develop advanced reasoning and problem solving skills.

Students enrolled in AP courses are strongly encouraged to take the AP exam to potentially receive college credit. College Board AP courses are offered in Lago Vista ISD for the highly motivated student who chooses to be challenged by college-level coursework in particular subject areas. AP Exam scores range from 1-5, with most colleges awarding credit hours for scores of three or better. Students and parents are responsible for investigating the transferability of AP course credit.

AP Examinations & Fees

Taking the Advanced Placement exams is an important part of all AP courses. Lago Vista High School desires that all students take AP exams for the AP classes that they have taken. The student is responsible for the cost of all fees for Advanced Placement examinations. Fees are greatly reduced for students with proven financial need as evidenced through the free or reduced lunch program.

Students needing financial assistance for examination fees should contact the campus Advanced Placement coordinator. **Note: Students must take the corresponding Advanced Placement (AP) examination in order to receive the additional weighted GPA multiplier.**

AP Capstone™ Program

College Board's AP Capstone™ is an innovative diploma program that allows students to develop the skills for future college success: research, collaboration, and communication. The program includes a two-course sequence: AP Seminar and AP Research. Developed in direct response to feedback from higher education faculty and college admission officers, AP Capstone™ complements the in-depth, subject-specific rigor of Advanced Placement courses and exams. Students who complete AP Seminar and AP Research with scores of 3 or higher, and receive scores of 3 or higher on four AP Exams in subjects of their choosing, will receive the AP Capstone Diploma™. Students who earn scores of 3 or higher on the two AP Capstone™ exams but do not take or earn qualifying scores on four additional AP Exams will receive the AP Seminar™ and Research Certificate™.

Dual Credit Courses

Lago Vista ISD provides opportunities for students to earn college credit through the Austin Community College dual credit program. In order to enroll in college credit courses, students must meet eligibility and enrollment requirements at the participating institution. See **College Credit Programs** for more information.

OnRamps Courses

OnRamps courses allow students enroll in a yearlong course taught by their high school teacher for high school credit with the option to qualify for and earn college credit through UT-Austin. In order to enroll in college credit courses, students must meet eligibility and enrollment requirements at the participating institution. See **College Credit Programs** for more information.

Texas MicroMajor Program

The Texas MicroMajor Program is a recognition program for high-achieving high school students who complete and earn credit for four approved college-level courses. Students must complete at least four courses from an approved list of dual credit, OnRamps, or AP courses. At least two courses must be UT-Austin courses.

Grading Policies for Advanced Academic Courses

Student performance is evaluated on rigorous standards appropriate for the grade and content of the course. Courses are weighted when figuring class rank; however, actual grades earned will appear on all report cards and transcripts. In order to receive weighted points at the semester, the student must be enrolled in the advanced course for the entire semester and fulfill all requirements for the course. If the course is dropped within a semester, the unweighted grade transfers to the new class.

Exit Guidelines for Advanced Academic Courses

The following guidelines apply for any student who wishes to exit an advanced academic course after July 15th. Prior to any consideration to exit an advanced academic course:

1. It is expected that a student seek assistance when needed (e.g., tutorials) to be successful in the course.
2. It is expected that a student complete all assignments that are due for the course (includes taking advantage of the reassessment opportunities available); and
3. It is expected that a student will remain in the course for at least one semester.

A student requesting to exit an advanced academic course must petition the campus counselor in writing with a parent signature. The petition for exit will be considered during an exit conference with a campus administrator, the campus counselor, the student, the student's parent, and teacher. The campus decision regarding whether to grant the petition to exit an advanced academic course must consider:

1. Input from the teacher;
2. The student's academic performance in the course;
3. The student's completion of assignments and attendance at recommended tutorials;
4. The availability of space in other courses;
5. The impact on the student's schedule;
6. The timing of the request; and
7. Any extenuating circumstances.

A student experiencing success (able to maintain a C or better for the semester average) should remain in the course, unless there are other extenuating circumstances. A student who earns an "F" at the end of a grading period may be removed from the class unless otherwise recommended by the teacher and administrator.

Summer Assignments

In order to address the skills and expectations that comprise advanced coursework and assessments, many advanced academic courses include required summer reading and writing assignments to allow for the breadth and depth of content needed to appropriately address requirements for the course. The requirement of summer assignments for advanced courses is an established convention at most schools offering these courses.

Reading and writing over the summer help to keep the students' minds "in the game" and add to the content area knowledge and skills needed for success in the course. Also, students in a given class arrive in August having had a common knowledge base and experience, which provides for immediate instructional opportunities. This requirement determines the pacing of curriculum, which must be accelerated due to the advanced nature of these courses.

Required pre-course assignments are necessary because:

- It is to the students' benefit to utilize the summer in completing some of their reading in order to positively affect pacing of work throughout the school year.
- We begin the first day ready for discussion and learning, which also positively affects pacing of work throughout the year.
- Students must be strong readers and pre-course reading encourages students to practice and improve reading skills even during the summer months.

Works Selection

Instructors select works based upon the scope of the course curriculum. Every work selected offers relevance to some component of study set forth by the state of Texas through the TEKS or to the corresponding course framework set forth by the College Board or partnering institution.

Accessing Materials

If possible, students should purchase their own copies of required readings. It is an advantage to be able to take notes in the margins and underline or highlight notable passages. Students may buy these books at local bookstores or for a reduced cost online. Students may also check out chosen works from the public library or find digital copies online. However, with these formats, students will not be able to take notes within the text itself. If these options are not viable, the District does have a limited number of some titles available, but these may not be annotated in or marked on in any way. These books will be distributed on a first-come, first-serve basis. Those interested may contact the course teacher, preferably prior to the last day of school in the preceding year.

New and Transfer Students

New and transfer students are expected to fulfill summer assignment requirements, but extended time may be given depending on time of enrollment.

College Credit Programs

College credit programs give high school students an opportunity to earn college credit while in high school. In dual credit courses, students enroll in articulated college courses and use the credit earned in those classes as credit toward high school graduation while also earning regular college credit. Lago Vista ISD is proud to offer several programs and options that allow students to earn college credit through the completion of articulated coursework.

An Important Note About Earning College Credit

Before deciding to take a course for college credit, it is highly recommended that students look up the course prior to enrollment and compare it with the colleges/universities they wish to attend to see if/how the course transfers. The Texas Common Course Numbering System (TCCNS) is a voluntary, co-operative effort among 136 Texas community colleges and universities to facilitate transfer of freshman and sophomore level general academic coursework. To check if a course will transfer to a public institution in Texas, please visit <http://tccns.org/>.

Credit Obtained through College Programs

Lago Vista ISD provides opportunities for students to earn college credit through the UT-Austin OnRamps college credit program and the Austin Community College dual credit program. In order to enroll in the college credit courses, students must meet eligibility and enrollment requirements at the participating college. To receive the Dual Credit Performance Acknowledgment under the FHSP, all grades earned must be a "B" or better.

The courses that are currently offered for dual credit with UT-Austin and Austin Community College are included in this guide. This list is subject to change. Students should check with the campus counselor for the most up-to-date list of courses. It is the student's responsibility to check with colleges and universities to ensure acceptance of specific college credit courses.

Students enrolled in UT-Onramps courses will have grades automatically reported through the course instructor. Students enrolled in ACC dual credit courses must submit an official transcript to the District to receive high school credit if they do not allow ACC to report the credit for them.

Students who earn dual credit may be eligible to receive a performance acknowledgement for the Foundation High School Plan (FHSP) by obtaining 12 credit hours of dual college credit with a grade of a 3.0 or higher.

Colleges and FERPA

Under the Family Educational Rights and Privacy Act (FERPA), students are the guardians of their college academic records. Once a student attends an institution of higher education, regardless of age, FERPA rights related to those educational records transfer from the parent to the student. FERPA stipulates that parents of a student attending an institution of higher education have no inherent rights of access to the students' education records. However, there provisions that allow a student to give written permission for their parent to access to their education record at the college or university in which they are enrolled.

For parents of dual-credit students: Students who are enrolled in both high school and courses at a postsecondary institution provide a unique situation. While the rights under FERPA belong to the parents with respect to high school records, they belong to the student with respect to the postsecondary records. Under FERPA, a parent may not obtain postsecondary academic records or complete college processes for the student without the student's written permission, even if the student is a minor. Likewise, Lago Vista ISD has no access or authority with regard to postsecondary records.

Parents may communicate with a high school instructor about students' high school grades. However, college instructors may not communicate with parent regarding students' college grade. We encourage parents to respect their student's ownership of his/her education record at the college level and seek ways to gain that information while safeguarding the student's rights and responsibilities. The college instructor will make every attempt to communicate with and through the student, as an important maturation point for college students.

Disability-Related Accommodations at the Post-Secondary Level

It is very important to note that neither high school IEPs nor 504 plans "follow" students to the post-secondary level. The Individuals with Disabilities Act (IDEA), the law that governs special education, applies only to students from Pre-K through high school. And while Section 504 and the Americans with Disabilities Act (Title II) apply to both school

districts and postsecondary institutions, the responsibilities of postsecondary schools and programs differ significantly from those of school districts. Post-secondary institutions and programs do not have to provide accommodations that would “fundamentally alter” or modify the educational program or academic requirements essential to the program of study. Thus, students with disabilities are expected to demonstrate the same level of understanding of course material-and meet the same minimum skill performance standards as all other students. Accommodations identified as reasonable according to the disability diagnosed and supporting documentation provided are available to students who are determined eligible. It is the student's responsibility to request disability-related accommodations in post-secondary programs and courses.

Texas Success Initiative Assessment Information

TSI or the Texas Success Initiative is a college readiness standard that must be met by each student who will attend a Texas public college or university. Students must meet TSI requirements in order to enroll in dual credit courses through Austin Community College. TSI may be met through scores on SAT and ACT and also by meeting score standards on the TSI test. Please contact the individual college or university to see what tests are required and/or accepted. Arrangements to take the TSI assessment can be made through Austin Community College.

UT-Austin OnRamps College Credit Program

OnRamps is a pioneering dual enrollment college credit program coordinated by The University of Texas at Austin. Combining pedagogy, curriculum, and technology, OnRamps provides a University of Texas at Austin quality experience for high school and community college students throughout the state of Texas. OnRamps courses feature face-to-face classroom instruction coupled with online materials and activities that support learning in and outside of the classroom. Each OnRamps course aligns with an existing equivalent course at The University of Texas at Austin, using innovative pedagogies that train students for higher-order cognitive activities, such as problem solving and application that post-secondary success requires. OnRamps also prepares teachers from across the state of Texas to facilitate UT-designed learning experiences in their classrooms that are designed to accelerate students' success. Teachers are paired with staff at the University for one-on-one support.

Students enroll in a yearlong course taught by their high school teacher for high school credit. Throughout the year, the high school teacher uses OnRamps materials, pedagogy, and online learning tools that are developed by UT-Austin to teach the high school course. After demonstrating college readiness through the course assignments, students may be eligible to enroll in an undergraduate course for college credit. Students are officially enrolled in the college course after eligibility is determined based on student work. Credit is awarded by The University of Texas at Austin, University Extension, or affiliated college in the identified semester.

A student who is eligible for, and successfully completes, the college course will have her/his course grade recorded in the Office of the Registrar at UT-Austin. A student may

request an official copy of her/his transcript from the registrar. Each student is advised to check with her/his planned collegiate program, even if she/he plans to attend UT-Austin, before registering for an OnRamps course, to determine course transferability.

Only students who have demonstrated their ability to do college-level work may participate in the undergraduate course. Eligibility for the undergraduate course is determined by successful completion of a series of required assignments that are designated and evaluated by the UT-Austin Instructor of Record. A student must earn a passing grade, determined by the Instructor of Record, on the required assignments to be eligible for the opportunity to be dual enrolled in a UT-Austin course. A student who does not meet this eligibility requirement may appeal in writing to the OnRamps program, if they already meet TSI requirements, or specified criteria by the Instructor of Record to be eligible for dual credit.

UT-OnRamps – High School Credit Only

A student who does not meet the eligibility requirement to enroll in the college credit-bearing portion of the course may continue in the course for high school credit only.

UT-Austin OnRamps Tuition & Fees

The state of Texas budget appropriation no longer covers all of the costs for OnRamps enrollment. Currently, Lago Vista ISD supplements remaining OnRamps tuition & fees for students. Locally subsidized OnRamps funding is subject to the capacity of and the approval of the annual budget for Lago Vista ISD.

ACC Dual Credit Program

Dual credit courses are offered to students interested in taking college credit courses while still in high school. Students are taught and graded in the same way as college students who take the same course. Students will receive college credit from the partnering institution/college immediately after they complete the course. Most courses will transfer to any public Texas college or university when a student earns a “C” or better. It is the student's responsibility to check with colleges and universities to ensure acceptance of specific college credit courses.

Enrollment in ACC Dual Credit

Students must complete the required ACC college admissions paperwork, including TSI and college entrance exams. Students are solely responsible for the application and registration process. This process is time sensitive and may take one to four weeks to complete.

ACC Dual Credit Tuition & Fees

Lago Vista ISD is located within the Austin Community College service area; however, the District is not located within the Austin Community College taxing district. All ACC dual credit students residing outside the ACC taxing district and within the ACC service area are charged a \$150 per-course fee for courses taken at ACC for up to 12 courses per student, after which regular tuition and fees will be charged. This 12 course tuition and fees reduction may only be applied to college credit courses that are a part of the ACC core curriculum, workforce courses leading to a certificate or associate of applied science degree, foreign languages, and KINE 1304/1305. All remaining ACC courses

will be assessed regular tuition and fees according to the student’s residency. This policy is subject to change, so students are encouraged to contact ACC to confirm tuition prices.

Students are urged to review payment information carefully during registration for ACC dual credit courses. Financial assistance for tuition and fees for ACC dual credit may be available for students who demonstrate financial need through documented eligibility for free lunch or family eligibility for public assistance. Failure to pay for your ACC course registration by the deadline will result in being dropped from your dual credit class. A high school course will be placed in your schedule. Students may be required to purchase textbooks.

ACC Dual Credit Schedule Changes

Schedule changes can be made for ACC dual credit courses during the designated add/drop period for each semester. Classes dropped after the add/drop period has ended will count as a tuition waiver used. Classes dropped after the official reporting date for a session will record as a “W” on official college records and may impact satisfactory academic progress (SAP) for future financial aid eligibility. If you have questions about your SAP status, contact the ACC Dual Credit office.

A student must complete an ACC Add/Drop Form AND must complete a Lago Vista High School Schedule Change Request to ensure that the dual credit course drop can be properly processed at both institutions. Failure to complete both forms could result in an F on a student’s college transcript.

Students should carefully consider the potential impact of the decision to drop an ACC dual credit course. For dropped dual credit courses, the student will be placed in a high school class that will provide the most benefit to the student while minimizing scheduling conflicts. Course placement will be determined by the availability of space in other courses, which may result in the student being placed in a course that he or she did not select.

ACC Dual Credit Grade Conversion

A student who earns credit in high school through articulated dual credit at ACC shall receive the numerical grade that was earned in the course.

A student who earns credit in high school through articulated dual credit for which a letter grade is assigned shall receive a weighted numerical grade average in accordance with the following conversion scale:

- A+ = 97 B+ = 87 C+ = 79 D+ = 74 F = 69
- A = 94 B = 84 C = 77 D = 72
- A- = 90 B- = 80 C- = 75 D- = 70

Students enrolled in ACC dual credit courses must submit an official transcript to the District in order to receive high school credit if they do not allow ACC to report the credit for them.

Austin Community College Dual Credit Timeline	
Summer/Fall Semester	Spring Semester
January ACC Admission Application (NEW Students)	September ACC Admission Application (NEW Students)
February TSI Testing (NEW Students)	Early October TSI Testing (NEW Students)
March/April ACC Advising (NEW & Returning Students)	October/November ACC Advising (NEW & Returning Students)
May ACC Registration Online for Summer	November/Early Dec. ACC Registration Online for Spring
June ACC Registration Online for Fall	

The minimum number of students required to make a section for ACC dual credit courses is 16 enrolled students.



Lago Vista ISD Articulated College Credit Pathways

Lago Vista ISD is proud to offer several programs and options that allow students to earn college credit through the completion of articulated coursework. **Before deciding to take a dual credit course**, it is highly recommended that students look up a dual credit course prior to enrollment and compare it with the colleges/universities they wish to attend to see if/how the course transfers. To check if a course will transfer to a public institution in Texas, please visit <http://tcns.org/>.

High School Course	Fall Semester		Spring Semester	
	Course Number	Course Title	Course Number	Course Title
OnRamps English (English III)	ENGL 1301/ RHE 306 (UT-Austin) [3 hours]	OnRamps: Introduction to Rhetoric: Reading, Writing, and Research	ENGL 1302/ RHE 309K (UT-Austin) [3 hours]	OnRamps: Reading and Writing and Rhetoric of American Identity
OnRamps College Algebra (Algebra II)		OnRamps College Algebra – <i>Non-Dual Credit Semester</i>	MATH 1314/ M 301 (UT-Austin) [3 hours]	OnRamps: College Algebra
OnRamps Chemistry (Science, Institution of Higher Education Endorsed)		OnRamps Chemistry– <i>Non-Dual Credit Semester</i>	CHEM 1311/CH 301 (UT-Austin) [3 hours] CHEM 1111/CH 104N (UT-Austin) [1 hour]	College Chemistry: Principles of Chemistry I College Chemistry: Introduction to Chemical Practices I (Lab)
OnRamps Physics (Physics)		OnRamps Physics I – <i>Non-Dual Credit Semester</i>	PHYS 1301/ PHY 302K (UT-Austin) [3 hours]	OnRamps: Mechanics, Heat, and Sound: General Physics Technical Course I
OnRamps Statistics (Statistics & Business Decision-Making)		OnRamps Statistics – <i>Non-Dual Credit Semester</i>	SSC 302 (UT-Austin) [3 hours]	OnRamps: Data Analysis for the Health Sciences
OnRamps Precalculus (Precalculus)		OnRamps Precalculus – <i>Non-Dual Credit Semester</i>	MATH 2312/M 305G (UT-Austin) [3 hours]	OnRamps: Discovery Precalculus: A Creative and Connected Approach

AP or Dual Credit?

AP Considerations

AP courses are high school courses taught by high school faculty. They mirror the rigor of college courses and thus are much more rigorous than regular high school courses. At the end of AP courses, students can take an exam which, depending on how students do, can lead to college credit or placement in a higher college level course. Since these are high school courses, parents are able to remain involved in student's academic environment and can speak to school staff about concerns. Also, grades earned in AP classes do not have to be a part of the permanent college transcript (student has to complete paperwork to claim credit or placement, and if they don't the course will not show on the college transcript).

Dual Credit Considerations

Dual Credit courses are college courses that are graded by college staff (including the college portion of OnRamps courses). They are true college courses, thus they are more rigorous than regular high school courses. Credit earned in a dual credit course is considered college credit, and can be accepted by any college or university nationwide depending on their transfer credit policy. Parents are not able to be as involved in student's academic environment as colleges treat dual credit students as regular college students and expect to deal only with students and not with parents. High schools are not able to intervene when students who are taking dual credit courses struggle academically. Also, grades earned in dual credit courses will become part of the student's permanent college record regardless of how they do in the course.

Earning College Credit & the Law

As a result of Texas law resulting from the passage of HB 1992, public colleges and universities must grant credit for a score of 3 (or higher) for all AP exams that are determined by the relevant academic department to demonstrate attainment of objectives congruent to those of a course offered by that department.

Likewise, as a result of Texas law resulting from the passage of SB 148, public colleges and universities are required to transfer without prejudice credit earned from one state public institution to another public state institution as long as the course fall with the core curriculum identified by the state. All dual credit courses offered in Lago Vista ISD are part of the state's established core curriculum. This means that all dual credit courses that are passed will transfer to any public college or university in Texas.

Dual credit courses may or may not transfer to out of state or private colleges and universities. Typically students who plan to attend elite private or out of state school benefit from taking AP courses instead of dual credit.

Alternate Methods for Earning College Credit

Students may earn high school credit through pre-approved independent co-enrollment in specific courses. Students may also elect to enroll in college coursework for which high school credit is not awarded.

Transfer Credit for Independent Co-Enrollment

Students in high school may elect to independently enroll in courses for college credit outside of the regular school day (in the evenings, on the weekend, during the summer, or through distance learning). High school credit may be earned for pre-approved academic courses only if the student obtains prior administrator approval in accordance with District guidelines. High school courses with a STAAR/EOC examination are not eligible for transfer credit through independent college enrollment.

After administrator approval prior to taking the course and subsequent receipt of a passing grade, the student must arrange for an official college transcript carrying the final grade to be sent from the college to the high school counselor for evaluation before transfer credit can be awarded and added to the student's academic achievement record. It is the student's responsibility to request a transcript to be sent to LVHS. All tuition and associated fees for independent enrollment college courses are the responsibility of the student.

Students will receive regular course weight for transfer credits earned through independent enrollment in college courses. Weighted credit is only awarded for articulated dual credit courses offered through the District and coordinated by the campus. Lago Vista ISD will allow transfer credit through independent co-enrollment for the following courses:

Economics

ECON 2301 Principles of Macroeconomics
.5 credit for HS Economics

English IV (For Students Without OnRamps ENGL 1302/ENG 309K)

ENGL 1301 Composition I
ENGL 1302 Composition II
ENGL 2322 British Literature
1.0 credit for HS English IV

English IV (For Students With OnRamps ENGL 1302/ENG 309K)

ENGL 1301 Composition I
ENGL 2322 British Literature
1.0 credit for HS English IV

English IV (For Students With OnRamps ENGL 1301/ENG 306 and ENGL 1302/ENG 309K)

ENGL 2322 British Literature
1.0 credit for HS English IV

Government

GOVT 2305 US Government
.5 credit for HS U.S. Government

Health Science

HPRS 1206 Essentials of Medical Terminology
 .5 credit for HS Medical Terminology

Co-Enrollment for College Credit Only

Credit earned through co-enrollment in unapproved courses counts only for college credit. Co-enrollment courses do not appear on a student's high school transcript, do not count for high school graduation, and are not used to determine grade point average (GPA). The Texas Legislature has approved 42 core lower-division course credit hours that will transfer to any Texas public college or university. This list can be found on the Austin Community College website.

Alternate Methods for Earning HS Credit

All credits earned through alternative means, as described below, will be used in determining academic honors. All grades earned, including high school courses taken at the middle school, will be used in class ranking except for those courses not included in the ranking system. Grades transferred must be from a four-year accredited high school to be accepted. If a student transfers from an unaccredited school, only grades earned through Lago Vista ISD high school courses will be used for determining averages for ranking for academic honors.

Credit by Examination (CBE)

Credit by examination provides a way for students to receive credit and advance in coursework. Credit by examination is only accepted from approved examinations offered by the University of Texas or Texas Tech University.

Students in grades 1-12 may take an approved CBE exams during any of the four published testing administration periods. Testing administration periods are listed each year in the Lago Vista ISD Grading Guidelines. A student who is homeless or is in foster care that transfers to the District after the start of the school year may be administered a credit by examination at any point during the school year.

The following restrictions regarding credit by examination apply to all students:

- Regardless of when a CBE is taken and appropriate mastery is demonstrated, placement in a new course/grade level will only occur at the start of a school year (or semester at the start of a semester for semester-length high school courses).
- Unless otherwise specified, a student may attempt a CBE no more than two times for the same course.

There is no limit to the number of credits that can be earned through credit by exam. Parents should consult the Lago Vista ISD Grading Guidelines or contact the campus counselor for additional information.

Credit by Examination for Acceleration (Without Prior Instruction)

A student may take an approved CBE examination for acceleration for a course or grade level in which no prior instruction has been received. A student wishing to accelerate in a subsequent course in grades 6-12 must demonstrate 80% or higher mastery for the two semesters combined.

If a student fails to earn credit by examination for a specific course before the beginning of the school year in which the student would ordinarily be required to enroll in that course in accordance with the District's prescribed course sequence, the student must satisfactorily complete the course to receive credit for the course. The cost of any examination taken without prior instruction will be the responsibility of the student.

Credit by Examination with Prior Instruction

A student must have had prior formal instruction in a semester course to be eligible to gain credit by examination with prior instruction. To participate in the credit by examination with prior instruction, the student must have been enrolled in a formal course as evidenced by:

1. A transcript from an accredited or non-accredited institution; or
2. Other verified documentation that establishes evidence of a formal course, which includes:
 - a. A syllabus listing daily assignments;
 - b. An explanation of the time parameters of the course;
 - c. Documentation of the student's performance throughout the course; and
 - d. Documentation of alignments to the Texas Essential Knowledge and Skills (TEKS).

A score of 70% or above is required on the credit by examination test. A student may not attempt to earn credit by examination for a specific course more than two times. There is no limit to the number of credits that can be earned through credit by exam. The cost of any examination taken with prior instruction will be the responsibility of the student.

Texas Virtual School Network

During the 80th Texas Legislative Session, Senate Bill 1788 established a state virtual school network to provide online courses for Texas students. The Texas Virtual School Network (TxVSN) first offered courses to students in Texas districts and open enrollment charter schools beginning January 2009. Course offered for grades 8-12 ensure 100% alignment with the Texas Essential Knowledge and Skills as well as the iNACOL National Standards of Quality for Online Courses. Public school districts, open-enrollment charter schools, institutions of higher education, or education service centers provide all courses offered through the TxVSN. Tuition and fees for TxVSN courses will be the responsibility of the student and parent. According to guidelines established by the Texas Virtual School Network (TxVSN) and the course provider, the District may enroll a student in college-level courses through the TxVSN. When the student successfully completes a course, credit shall be applied toward graduation requirements. You may visit the TxVSN website at <http://www.txvsn.org/> for more information.

Summer School/Semester

Students may attend an accredited summer school, provided that approval of the principal or counselor is obtained before enrolling. Summer school work can be used for the purpose of making up work that has been failed during the regular term, strengthening areas where a student is weak, giving a student an opportunity to avail himself/herself of courses that cannot be taken during the regular term because of scheduling conflicts, and obtaining credits for acceleration purposes.

Credit Recovery

Students may gain credit through computer-assisted instruction for courses previously failed. Not all courses are eligible for recovery. Students should contact the campus counselor for information.

Grade Point Average Information

A student's cumulative Grade Point Average (GPA) is calculated at the end of each semester beginning with the end of the first semester of a student's freshman year. The student's GPA is updated at the end of each semester and is calculated by averaging the final grades for each course taken. Lago Vista ISD calculates an unweighted and a weighted grade point average. The unweighted GPA is on a 4.0 scale. The weighted is on a 5.0 scale and is used to determine class rank. On the weighted scale, students receive additional weight in their grade point average for taking College Readiness (formerly Pre-AP), AP, Dual Credit, and OnRamps courses.

Transfer Credit

A student who transfers into the District high school shall receive similar credits counted toward the GPA or weighted numerical grade average according to the list of courses offered in the District and the grade point scale or weighted numerical grade average used for credit earned in the District.

Students transferring into the District from a school with a comparable grading scale shall receive the numerical grade that was earned in courses at another school. Letter grades shall be recorded as follows:

A+ = 97	B+ = 87	C+ = 79	D+ = 74	F = 69
A = 94	B = 84	C = 77	D = 72	
A- = 90	B- = 80	C- = 75	D- = 70	

Transfer Credit for Independent Co-Enrollment College Courses

Students who elect to independently enroll in courses for college credit outside of the regular school day (in the evenings, on the weekend, during the summer, or through distance learning) will receive regular course weight for transfer credits earned through independent enrollment in college courses.

After administrator approval prior to taking the course and subsequent receipt of a passing grade, the student must arrange for an official college transcript carrying the final grade to be sent from the college to the high school counselor for evaluation before transfer credit can be awarded and added to the student's academic achievement record.

Unweighted 4-Point Grade Point Average

The college 4-point or unweighted GPA is calculated for all students and is the cumulative average of semester grades, including courses that are taken more than once, regardless of credit awarded. Any high school semester average earned, including high school courses taken in junior high, will calculate into a student's unweighted or college GPA.

Lago Vista ISD uses a standard 4.0 scale to calculate unweighted GPA and does not take into account the level of the class. Semester averages with a "P" in a Pass/Fail courses will calculate as an "A" in the student's unweighted or college GPA. *Note: A student's weighted GPA determines a student's rank. The unweighted 4-point GPA does not count towards rank and is only calculated as a convenience for students.*

100-point scale	Grade on a 4-point scale
100—90	4
89—80	3
79—75	2
74—70	1
Below 69	0

Weighted Grade Point Average

The District uses a weighted GPA scale to calculate class rank. Advanced Placement, Dual Credit, OnRamps, College Readiness, and other eligible courses listed in policy shall receive extra weight. [See Policy EIC(LOCAL)]

Calculating the Weighted Grade Point Average

The student's GPA is weighted and is calculated using semester grades in grades 9-12. Courses completed in middle school for which high school credit is awarded shall count in the student's GPA. The student's GPA is cumulative and all subjects taken shall be used in computing GPA except band, physical education, athletics, grades received for service as an office aide, and "pass-fail" or local credit courses, such as Academic Lab, and other exceptions noted above. Weighted categories are assigned to high school courses. This category is determined by the demands or expectations of a particular class. Some classes receive weighted grade points.

Grade point averages are calculated based on the methodology outlined by policy when the student entered high school.

Weighted Rank Grade Point Average Categories

The District assigns weights to grades earned in eligible courses and calculates a weighted numerical grade average and convert the grade averages to a grade point average (GPA), in accordance with the following scale:

<u>Category</u>	<u>Weight</u>	<u>GPA scale</u>
Level IV <i>AP with Exam</i>	multiplied by 1.25	5.00
Level III <i>AP, OnRamps, Dual Credit</i>	multiplied by 1.20	4.80
Level II <i>College Readiness (Formerly Pre-AP)</i>	multiplied by 1.10	4.40
Level I <i>Regular</i>	multiplied by 1.00	4.00

AP Course Weight With and Without Taking the Examination

In order to receive the 1.25 weighted GPA multiplier, students enrolled in Advanced Placement (AP) courses are required to take the corresponding AP examination. The student is responsible cost of all fees for Advanced Placement examinations. Fees are greatly reduced for students with proven financial need as evidenced through the free or reduced lunch program.

Any student taking AP classes, but not taking the corresponding exam, will not have fulfilled the requirements to receive the 1.25 GPA multiplier.

Therefore, students taking AP classes will fall under one or more of the following categories:

- A student who registers for and takes the AP exam will have fulfilled the requirements to receive the 1.25 weighted GPA multiplier for both semesters.
- A student who does not pay the AP exam fee by the deadline may choose to remain in the AP class; however, the student will not receive the 1.25 weighted GPA multiplier for either semester, as they will not have fulfilled the requirements to receive the 1.25 GPA multiplier. The student will receive the 1.20 GPA multiplier for both semesters.
- A student who pays for the AP exam fee but who drops the course at any point during the year will not receive the 1.25 weighted GPA multiplier for either semester. If any credit is earned, the student will receive the 1.20 GPA multiplier.
- A student who fails to show up to take the AP exam will not earn the 1.25 GPA multiplier for either semester. There will be no refunds for exam fees due to “no-shows” for the test. The student will also be responsible for the Unused Exam Fee. If any credit is earned, the student will receive the 1.20 GPA multiplier.
- A student who does not take the corresponding AP exam will not have fulfilled the requirements to receive the 1.25 GPA multiplier. If any credit is earned, the student will receive the 1.20 GPA multiplier.

Exceptions from Weighted GPA

Grades earned in band, physical education, athletics, any academic course substituted for physical education, any

type of student aide elective, a pass/fail course, credit earned by exam (with or without prior instruction), courses taken through credit recovery, courses taken through summer school, courses taken in any non-accredited school, including homeschool, or any local credit course are not used for class rank purposes.

College Admissions

College Entrance Exams

Colleges and universities weigh admissions decisions in part based on the student performance on the ACT and/or SAT exams. SAT/ ACT exam scores are not only used for admissions criteria; these scores can be used to determine scholarship and financial awards. All Lago Vista ISD students have exposure to the PSAT family of assessments in 8th–11th grade. From this testing opportunity, students are provided feedback in terms of strengths and weaknesses on skills needed to be successful on the SAT/ACT.

In the junior year, students take admissions exams to demonstrate their readiness for college level work. The first step in preparation is researching target schools to determine SAT/ACT admission score requirements. Setting score goals prior to testing combined with a focused practice plan using Khan Academy, preparatory resources from SAT/ACT as well as accessing practice exams offered throughout the school year to best prepare students.

Texas Success Initiative (TSI)

The Texas Success Initiative Assessment (TSIA) is part of the Texas Success Initiative (TSI) enacted by the Texas State Legislature and is designed to determine a student’s readiness for college-level coursework in the general areas of reading, writing, and mathematics. The TSIA, or one of its exemptions, is required of Texas students who wish to enroll in Texas public higher education. Lago Vista ISD would like every Lago Vista High School senior who graduates to have met these standards prior to graduation. Students who do not meet Texas Success Initiative (TSI) standards upon graduation will be required to pass developmental courses at the college they are attending in order to start college-level coursework. For more information, please visit <http://www.theccb.state.tx.us/tsi>.

Texas Public University Automatic Admissions

Top students in Texas are eligible for automatic admission to any public university in Texas under state admissions policies. Under House Bill 588 passed by the 75th Legislature in 1997, students who are in the top 10 percent of their graduating class are eligible for automatic admission to any public university in Texas. However, SB 175 caps the number of students admitted under the top 10% law to 75% at UT Austin; thus, acceptance rates will vary. The University will determine the acceptance rate.

In accordance with Title 19 TAC §5.5(e), high school rank for students seeking automatic admission to a general academic teaching institution on the basis of class rank is determined and reported as follows:

1. Class rank shall be based on the end of the 11th grade,

middle of the 12th grade, or at high school graduation, whichever is most recent at the application deadline.

2. The top 10 percent of a high school class shall not contain more than 10 percent of the total class size.
3. The student's rank shall be reported by the applicant's high school or school district as a specific number out of a specific number total class size.
4. Class rank shall be determined by the school or school district from which the student graduated or is expected to graduate.

Notification of Eligibility

In accordance with TEC §28.026 and TAC §61.1201, school districts are required to provide written notification of eligibility for automatic college admission under the Uniform Admission Policy (TEC §51.803) to students before the 14th day after the last day of the fall semester.

Districts are required to notify

- each eligible senior,
- each junior with a grade point average in the top ten percent, and
- the student's parent or guardian.

To be eligible for the top 10 percent automatic admission, a student must:

- Have earned a grade point average in the top 10 percent of the student's high school graduating class, AND
- Have earned the Distinguished Level of Achievement under the Foundation High School Program; or
- Have satisfied ACT's College Readiness Benchmarks on the ACT assessment or earned on the SAT assessment a score of at least 1,500 out of 2,400 or the equivalent. (Students should check with universities for updated score requirements on the new SAT®); AND
- Apply for admission to a state college or university within the first two school years after graduation from high school.

Students who will enroll in college using eligibility earned through the top 10% automatic admissions policy must:

- Graduate in the top 10 percent of his/her class at a public or private high school in Texas;
- Enroll in college no more than two years after graduating from high school; and
- Submit an application to a Texas public university for admission before the institution's application deadline. Since deadlines vary, please check with the specific university to verify the application deadline.
- Provide a high school transcript or diploma that indicates whether the student has satisfied or is on schedule to satisfy the requirements of the RHSP, DAP, or the distinguished level of achievement under the Foundation High School Program or the portion of the requirements that was available to the student.

Once a student is admitted, a university may review a student's high school records to determine if the student is prepared for college-level course work. A student who needs additional preparation may be required to take a developmental, enrichment, or orientation course during the semester prior to the first semester of college.

Note: The University of Texas at Austin (UT) is not required to automatically admit applicants in excess of 75% of its enrollment capacity for first-time resident undergraduate students. Should the number of applicants who qualify for automatic admission exceed 75% of enrollment capacity, UT shall provide notice of the percentage of qualified applicants that are anticipated to be offered admission. The Texas Higher Education Coordinating Board was responsible for creating rules for this new admissions policy and adopted the "top 10 percent" rules in October 1997. For more information, see Appendix A.

College Financial Aid Applications

It is important to know your deadlines when filling out applications for financial aid, including the FAFSA and TASFA. There are federal and state deadlines and your colleges of choice may have different deadlines. It is the responsibility of students & parents to complete the FAFSA and submit it by the due date specified.

FAFSA and TASFA

The FAFSA is the Free Application for Federal Student Aid. It is an online form that should be completed during a student's senior year in high school, that may qualify him/her for federal student loans, grants, the work-study program, scholarships and student/ parent loans (subsidized & unsubsidized). Additionally, many universities require the FAFSA be filled out in order to be eligible for scholarship opportunities at the college or university. Additional information can be found at <https://fafsa.ed.gov/>.

The TASFA is the Texas Application for State Financial Aid for undocumented students in Texas. Texas allows undocumented students to apply for state financial aid and state tuition under certain conditions. The TASFA needs to be completed during the senior year in high school. It is currently only available in paper form at College for All Texan's website at <http://www.collegeforalltexas.com>.

TEXAS Grant

The Texas Legislature established the TEXAS (Towards EXcellence, Access and Success) Grant program in 1999 (Texas Education Code, §56.301) to provide funds to academically prepared high school graduates with financial need to pursue a higher education.

You apply when you complete and submit the Free Application for Federal Student Aid (FAFSA) or Texas Application for State Financial Aid (TASFA). Funding is limited, so you need to submit your application as soon as possible after October 1st. The financial aid office at each college and university will determine your eligibility.

For additional information, please visit <http://www.collegeforalltexas.com/apps/financialaid/tofa2.cfm?ID=458>.

AP Capstone™

Advanced Placement Capstone Diploma™ Program

What is the AP Capstone™ Diploma Program?

AP Capstone™ is a College Board™ program that equips students with the independent research, collaborative teamwork, and communication skills that are increasingly valued by colleges. It cultivates curious, independent, and collaborative scholars and prepares them to make logical, evidence-based decisions.

AP Capstone™ is comprised of two AP courses — AP Seminar and AP Research — and is designed to complement and enhance the discipline-specific study in other AP courses. Participating schools can use the AP Capstone™ program to provide unique research opportunities for current AP students, or to expand access to AP by encouraging students to master the argument-based writing skills that the AP Capstone™ program develops.

How AP Capstone™ Works

Students in the AP Capstone™ Program take 4 self-selected AP courses and exams at any point throughout high school. Additionally, students must take the AP Seminar course and exam, as well as the AP Research course and exam. Students typically take AP Seminar in grade 10 or 11, followed by AP Research.

Program Completion

Students who earn scores of 3 or higher in AP Seminar and AP Research and on four additional AP Exams of their choosing receive the AP Capstone Diploma™. Students who earn scores of 3 or higher in AP Seminar and AP Research but not on four additional AP Exams receive the AP Seminar and Research Certificate™.

Benefits of the AP Capstone™ Program: Stand Out in College Admissions

AP Capstone™ candidates stand out:

- On college applications and essays because they demonstrate critical thinking, communication, and research skills associated with AP Capstone™.
- In college interviews because of the confidence, expertise, and passion they show when they talk about their unique academic projects.
- To college admission officers, who recognize that AP Capstone™ students know how to build evidence-based arguments, apply research methods, work in teams, deliver professional presentations, and complete long-term academic projects.

Interested in Applying?

Please complete the application in the appendix of this course guide and submit it to the campus counselor no later than May 1st!



The University of Texas at Austin OnRamps

Texas MicroMajor Program

The University of Texas at Austin, in collaboration with OnRamps, launched **Texas MicroMajor** in 2017. The initiative gives Texas high school students the opportunity to earn an advanced academic recognition from The University of Texas at Austin (UT-Austin).

Students receive an advanced recognition from UT Austin by completing a selection of college-level courses that are offered through Advanced Placement, Dual Credit, International Baccalaureate, OnRamps and The University of Texas Extended Campus (UT Extended Campus). Experience in these high-quality courses helps students understand and align with college or university expectations; build confidence and academic motivation; and increase their chances of enrolling in, successfully navigating, and completing college or university.

Benefits

Completing a **Texas MicroMajor** will help students become more competitive for success at UT-Austin or other colleges and universities. In addition to standing out on college applications and saving on college tuition costs, students also develop the skills necessary to excel in the workplace. Students who complete the **Texas MicroMajor** will receive an official letter of recognition from UT-Austin, as well as a recognition cord that can be worn at high school graduation.

Eligibility

Students must be currently enrolled in a Texas high school and must successfully complete the necessary pre-requisite high school courses. High school counselors, teachers, or administrators may nominate eligible students or eligible students may self-nominate.

How to Apply

Students must complete and submit the online application. Students may apply for **Texas MicroMajor** as early as the spring semester of their freshman year of high school. High school sophomores and juniors are also eligible to participate.

Requirements

Students must complete at least four courses from an approved list of college-level courses. At least two of them must be through UT-Austin. **Texas MicroMajor** cannot be earned with Pass/Fail grades. Courses counting toward **Texas MicroMajor** must meet the following criteria:

- **Advanced Placement:** 3 or above on the AP exam
- **Dual Credit:** C or above
- **OnRamps:** C or above in the college course
- **UT Extended Campus:** C or above

Texas MicroMajor does not guarantee admission to UT-Austin or any other university or college. It does, however, give students the opportunity to indicate in college applications their willingness, and ability, to succeed in college-level courses. For more information about the UT-Austin admissions process, contact the Admissions Office directly.

For more information, please visit <http://onramps.utexas.edu/initiatives/txmm/>.

Lago Vista ISD Class Rank GPA Multiplier Chart

Actual Grade	Un-weighted GPA	1.0 Level I General Education	1.1 Level II College Readiness (Formerly Pre- AP)	1.2 Level III Dual Credit/OnRamps/ Advanced Placement*	1.25 Level IV Advanced Placement w/Exam
100	4.0	4.0	4.40	4.80	5.00
99	3.9	3.9	4.29	4.68	4.88
98	3.8	3.8	4.18	4.56	4.75
97	3.7	3.7	4.07	4.44	4.63
96	3.6	3.6	3.96	4.32	4.50
95	3.5	3.5	3.85	4.20	4.38
94	3.4	3.4	3.74	4.08	4.25
93	3.3	3.3	3.63	3.96	4.13
92	3.2	3.2	3.52	3.84	4.00
91	3.1	3.1	3.41	3.72	3.88
90	3.0	3.0	3.30	3.60	3.75
89	2.9	2.9	3.19	3.48	3.63
88	2.8	2.8	3.08	3.36	3.50
87	2.7	2.7	2.97	3.24	3.38
86	2.6	2.6	2.86	3.12	3.25
85	2.5	2.5	2.75	3.00	3.13
84	2.4	2.4	2.64	2.88	3.00
83	2.3	2.3	2.53	2.76	2.88
82	2.2	2.2	2.42	2.64	2.75
81	2.1	2.1	2.31	2.52	2.63
80	2.0	2.0	2.20	2.40	2.50
79	1.9	1.9	2.09	2.28	2.38
78	1.8	1.8	1.98	2.16	2.25
77	1.7	1.7	1.87	2.04	2.13
76	1.6	1.6	1.76	1.92	2.00
75	1.5	1.5	1.65	1.80	1.88
74	1.4	1.4	1.54	1.68	1.75
73	1.3	1.3	1.43	1.56	1.63
72	1.2	1.2	1.32	1.44	1.50
71	1.1	1.1	1.21	1.32	1.38
70	1.0	1.0	1.10	1.20	1.25

*Students who enroll in Advanced Placement courses but who do not take the Advanced Placement exam will receive the 1.20 weighted GPA multiplier.

Lago Vista ISD Weighted Course Chart for Students

This list is for guidance purposes only. All courses may not be offered every year.

Advanced Placement (1.25 Multiplier with Exam; 1.20 Multiplier without Exam)

AP Biology	AP English IV	AP Seminar	AP US Government
AP Calculus AB	AP Environmental Science	AP Spanish IV	AP US History
AP Calculus BC	AP Microeconomics	AP Spanish V	
AP Computer Science	AP Research	AP Studio Art	

OnRamps (1.20 Multiplier)

OnRamps Chemistry	OnRamps English	OnRamps Precalculus	
OnRamps College Algebra	OnRamps Physics	OnRamps Statistics	

College Readiness [Formerly Pre-AP] (1.10 Multiplier)

CR Biology	CR English I	CR Spanish II	G/T Independent Study Mentorship
CR Chemistry	CR English II	CR Spanish III	
CR Computer Programming II	CR Geometry	CR World History	

General Education (1.0 Multiplier)

Algebra I	Economics	Physics	US History
Algebra II	English I – IV	Professional Communications	World Geography
Algebraic Reasoning	Geometry	Scientific Research & Design	World History
Anatomy & Physiology	Health/Lifetime Nutrition & Wellness	Spanish I - II	Yearbook I-III
Art I-IV	Integrated Physics and Chemistry (IPC)	Sports Medicine I-III	All Career & Technology Courses
Biology	Journalism I-III	Statistics & Business Decision-Making	All Other Courses Not Excluded Per Policy
Chemistry	Money Matters	Theater I-IV	
Debate I-IV	Musical Theatre I-IV	US Government	

Foundation High School Program Graduation Plan Side-by-Side

Foundation High School Program <i>22 Credits Required by State 28 Credits Required by LVISD</i>	Foundation High School Program Plus Endorsement <i>26 Credits Required by State 28 Credits Required by LVISD</i>	Distinguished Level of Achievement <i>26 Credits Required by State 28 Credits Required by LVISD Required for Automatic Admission (top 10%) to Texas state colleges and universities</i>
4 English Credits: ELA, I, II, III, one advanced English course	4 English Credits: ELA, I, II, III, one advanced English course	4 English Credits: ELA, I, II, III, one advanced English course
3 Math Credits: Algebra I, Geometry, one credit in any authorized math course	4 Math Credits: Algebra I, Geometry, two credits in any authorized advanced math course	4 Math Credits: Algebra I, Geometry, Algebra II, one credit in any authorized advanced math course
3 Science Credits: Biology, two credits in any authorized advanced science course	4 Science Credits: Biology, three credits in any authorized advanced science course	4 Science Credits: Biology, three credits in any authorized advanced science course
3 Social Studies Credits: World Geography or World History, U.S. History, Government, Economics	3 Social Studies Credits: World Geography or World History, U.S. History, Government, Economics	3 Social Studies Credits: World Geography or World History, U.S. History, Government, Economics
2 Languages Other Than English Credits	2 Languages Other Than English Credits	2 Languages Other Than English Credits
1 Physical Education Credit	1 Physical Education Credit	1 Physical Education Credit
1 Fine Arts Credit	1 Fine Arts Credit	1 Fine Arts Credit
.5-1 Speech Credit*	.5-1 Speech Credit*	.5-1 Speech Credit*
.5 Health Credit *	.5 Health Credit *	.5 Health Credit *
.5-1 Personal Financial Literacy Credit*	.5-1 Personal Financial Literacy Credit*	.5-1 Personal Financial Literacy Credit*
Elective Credits	Endorsement Coherent Sequence Credits	Endorsement Coherent Sequence Credits
	Elective Credits	Elective Credits
Lago Vista ISD Requires 28 Credits to Graduate	Lago Vista ISD Requires 28 Credits to Graduate	Lago Vista ISD Requires 28 Credits to Graduate

*Lago Vista ISD requirement in order to meet State-required curriculum elements.

Lago Vista ISD
Foundation High School Program (FHSP) Endorsement Programs of Study

Students must choose an “endorsement,” or area of concentration, upon entering the ninth grade. Each student can choose more than one endorsement area. Achieved endorsements will be noted on high school transcripts. Students can earn an endorsement by successfully completing at least one of the “program of study” requirements in the endorsement areas listed below. Please see the specific course requirements for each program of study area listed in the course catalog. Courses chosen during high school become the foundation for the future; therefore, careful selection of courses will form a program of study related to a chosen post-secondary educational goal.

Recommended Course Sequence Options

The charts that follow are intended to guide students in creating their four-year plans. Not all courses listed in the recommended sequence are required for an endorsement. Additional course substitution options for completing an endorsement are located in the program of study section of the catalog. Courses may be moved or skipped in the recommended sequence, but specific course prerequisites and grade level requirements must be met.

Arts & Humanities Endorsements		
	Fine Arts (Band, Art, or Theatre)	Spanish
English 4 Credits	English I English II English III 4th Year English	English I English II English III 4th Year English
Math 4 Credits <i>*Discuss alternate sequences with the counselor</i>	Algebra I Geometry Algebra II 4th Year Math	Algebra I Geometry Algebra II 4th Year Math
Science 4 Credits <i>*Discuss alternate sequences with the counselor</i>	Biology Chemistry Physics 4th Year Science	Biology Chemistry Physics 4th Year Science
Social Studies 3 Credits	World History U.S. History Government (.5) Economics (.5)	World History U.S. History Government (.5) Economics (.5)
Speech .5	Professional Communications	Professional Communications
Health .5 Credit	Health/Lifetime Nutrition & Wellness	Health/Lifetime Nutrition & Wellness
Money Matters 1 Credit	Money Matters	Money Matters
Fine Arts 1 Credit	Fine Arts I	Fine Arts I
PE 1 Credit	PE	PE
LOTE 2 Credits	Spanish I Spanish II	Spanish I Spanish II
Coherent Sequence	Fine Arts I Fine Arts II Fine Arts III [or I] Fine Arts IV [or II]	Spanish I Spanish II CR Spanish III AP Spanish IV
Recommended Electives	Other Electives	AP Spanish V Other Electives
LVISD Requires 28 Credits to Graduate	28 Credits	28 Credits

Business & Industry Endorsements: Agriculture		
	Floral Design	
English 4 Credits	English I English II English III 4th Year English	
Math 4 Credits <i>*Discuss alternate sequences with the counselor</i>	Algebra I Geometry Algebra II 4th Year Math	
Science 4 Credits <i>*Discuss alternate sequences with the counselor</i>	Biology Chemistry Physics 4th Year Science	
Social Studies 3 Credits	World History U.S. History Government (.5) Economics (.5)	
Speech .5 Credit	Professional Communications	
Health .5 Credit	Health/Lifetime Nutrition & Wellness	
Money Matters 1 Credit	Money Matters	
Fine Arts 1 Credit	Fine Arts I	
PE 1 Credit	PE	
LOTE 2 Credits	Spanish I Spanish II	
Coherent Sequence	Principles of Agriculture, Food, & Natural Resources Floral Design Advanced Floral Design Advanced Plant and Soil Science	
Recommended Electives	Other Electives	
LVISD Requires 28 Credits to Graduate	28 Credits	

Note: After selecting at least one Endorsement Programs of Study, students may choose to meet additional requirements for the following endorsements:

- 1) STEM – Completion of Algebra II and two additional math courses for which Algebra II is a prerequisite
- 2) STEM – Completion of Algebra II, Chemistry, Physics and a sequence of three additional credits from two of the following disciplines: Math or Science
- 3) Multi-disciplinary – Completion of four credits in each of the four foundation subject areas to include English IV and Chemistry and/or Physics
- 4) Multi-disciplinary – Completion of four credits in Advanced Placement or Dual Credit: 1 English, 1 math, 1 science, and 1 social studies

**Business & Industry Endorsements:
Architecture, Construction, & Manufacturing**

	Architecture & Construction	Welding (Manufacturing) [Discontinued Beginning in 2017-2018]
English 4 Credits	English I English II English III 4th Year English	English I English II English III 4th Year English
Math 4 Credits <i>*Discuss alternate sequences with the counselor</i>	Algebra I Geometry Algebra II 4th Year Math	Algebra I Geometry Algebra II 4th Year Math
Science 4 Credits <i>*Discuss alternate sequences with the counselor</i>	Biology Chemistry Physics 4th Year Science	Biology Chemistry Physics 4th Year Science
Social Studies 3 Credits	World History U.S. History Government (.5) Economics (.5)	World History U.S. History Government (.5) Economics (.5)
Speech .5 Credit	Professional Communications	Professional Communications
Health .5 Credit	Health/Lifetime Nutrition & Wellness	Health/Lifetime Nutrition & Wellness
Money Matters 1 Credit	Money Matters	Money Matters
Fine Arts 1 Credit	Fine Arts I	Fine Arts I
PE 1 Credit	PE	PE
LOTE 2 Credits	Spanish I Spanish II	Spanish I Spanish II
Coherent Sequence	Construction Technology I (2.0) Construction Technology II (2.0)	Welding I (2.0) Welding II (2.0)
Recommended Electives	Practicum in Construction Management Other Electives	Practicum in Manufacturing/Welding Other Electives
LVISD Requires 28 Credits to Graduate	28 Credits	28 Credits

Note: After selecting at least one Endorsement Programs of Study, students may choose to meet additional requirements for the following endorsements:

- 1) STEM – Completion of Algebra II and two additional math courses for which Algebra II is a prerequisite
- 2) STEM – Completion of Algebra II, Chemistry, Physics and a sequence of three additional credits from two of the following disciplines: Math or Science
- 3) Multi-disciplinary – Completion of four credits in each of the four foundation subject areas to include English IV and Chemistry and/or Physics
- 4) Multi-disciplinary – Completion of four credits in Advanced Placement or Dual Credit: 1 English, 1 math, 1 science, and 1 social studies

**Business & Industry Endorsements:
Business Management & Administration**

	Business Information Management	Business Leadership
English 4 Credits	English I English II English III 4th Year English	English I English II English III 4th Year English
Math 4 Credits <i>*Discuss alternate sequences with the counselor</i>	Algebra I Geometry Algebra II Stats & Business Decision Making	Algebra I Geometry Algebra II 4th Year Math
Science 4 Credits <i>*Discuss alternate sequences with the counselor</i>	Biology Chemistry Physics 4th Year Science	Biology Chemistry Physics 4th Year Science
Social Studies 3 Credits	World History U.S. History Government (.5) Economics (.5)	World History U.S. History Government (.5) Economics (.5)
Speech .5 Credit	Professional Communications	Professional Communications
Health .5 Credit	Health/Lifetime Nutrition & Wellness	Health/Lifetime Nutrition & Wellness
Money Matters 1 Credit	Money Matters	Money Matters
Fine Arts 1 Credit	Fine Arts I	Fine Arts I
PE 1 Credit	PE	PE
LOTE 2 Credits	Spanish I Spanish II	Spanish I Spanish II
Coherent Sequence	Money Matters Stats & Business Decision Making BIM I BIM II	Money Matters BIM I BIM II <i>One or two of the following:</i> Advertising (.5) Entrepreneurship (.5) Social Media Marketing (.5)
Recommended Electives	Other Electives	Other Electives
LVISD Requires 28 Credits to Graduate	28 Credits	28 Credits

Note: After selecting at least one Endorsement Programs of Study, students may choose to meet additional requirements for the following endorsements:

- 1) STEM – Completion of Algebra II and two additional math courses for which Algebra II is a prerequisite
- 2) STEM – Completion of Algebra II, Chemistry, Physics and a sequence of three additional credits from two of the following disciplines: Math or Science
- 3) Multi-disciplinary – Completion of four credits in each of the four foundation subject areas to include English IV and Chemistry and/or Physics
- 4) Multi-disciplinary – Completion of four credits in Advanced Placement or Dual Credit: 1 English, 1 math, 1 science, and 1 social studies

**Business & Industry Endorsements:
Communications Technology & Information Technology**

	Audio/Video Production	Computer Information Technology
English 4 Credits	English I English II English III 4th Year English	English I English II English III 4th Year English
Math 4 Credits <i>*Discuss alternate sequences with the counselor</i>	Algebra I Geometry Algebra II 4th Year Math	Algebra I Geometry Algebra II 4th Year Math
Science 4 Credits <i>*Discuss alternate sequences with the counselor</i>	Biology Chemistry Physics 4th Year Science	Biology Chemistry Physics 4th Year Science
Social Studies 3 Credits	World History U.S. History Government (.5) Economics (.5)	World History U.S. History Government (.5) Economics (.5)
Speech .5 Credit	Professional Communications	Professional Communications
Health .5 Credit	Health/Lifetime Nutrition & Wellness	Health/Lifetime Nutrition & Wellness
Money Matters 1 Credit	Money Matters	Money Matters
Fine Arts 1 Credit	Fine Arts I	Fine Arts I
PE 1 Credit	PE	PE
LOTE 2 Credits	Spanish I Spanish II	Spanish I Spanish II
Coherent Sequence	Professional Communications/LNW A/V Production I A/V Production II A/V Production Lab	Professional Communications/LNW Money Matters Computer Programming I CR Computer Programming II
Recommended Electives	Practicum in Audio/Video Production Other Electives	BIM I BIM II
LVISD Requires 28 Credits to Graduate	28 Credits	28 Credits

Note: After selecting at least one Endorsement Programs of Study, students may choose to meet additional requirements for the following endorsements:

- 1) STEM – Completion of Algebra II and two additional math courses for which Algebra II is a prerequisite
- 2) STEM – Completion of Algebra II, Chemistry, Physics and a sequence of three additional credits from two of the following disciplines: Math or Science
- 3) Multi-disciplinary – Completion of four credits in each of the four foundation subject areas to include English IV and Chemistry and/or Physics
- 4) Multi-disciplinary – Completion of four credits in Advanced Placement or Dual Credit: 1 English, 1 math, 1 science, and 1 social studies

Business & Industry Endorsements: Communications		
	Journalism	Speech Communications
English 4 Credits	English I English II English III 4th Year English	English I English II English III 4th Year English
Math 4 Credits <i>*Discuss alternate sequences with the counselor</i>	Algebra I Geometry Algebra II 4th Year Math	Algebra I Geometry Algebra II 4th Year Math
Science 4 Credits <i>*Discuss alternate sequences with the counselor</i>	Biology Chemistry Physics 4th Year Science	Biology Chemistry Physics 4th Year Science
Social Studies 3 Credits	World History U.S. History Government (.5) Economics (.5)	World History U.S. History Government (.5) Economics (.5)
Speech .5 Credit	Professional Communications	Professional Communications
Health .5 Credit	Health/Lifetime Nutrition & Wellness	Health/Lifetime Nutrition & Wellness
Money Matters 1 Credit	Money Matters	Money Matters
Fine Arts 1 Credit	Fine Arts I	Fine Arts I
PE 1 Credit	PE	PE
LOTE 2 Credits	Spanish I Spanish II	Spanish I Spanish II
Coherent Sequence	Advanced Journalism: Yearbook I Advanced Journalism: Yearbook II Advanced Journalism: Yearbook III Independent Study in Journalism: Yearbook	Debate I Debate II Debate III Independent Study in Speech
Recommended Electives	Other Electives	Other Electives
LVISD Requires 28 Credits to Graduate	28 Credits	28 Credits

Note: After selecting at least one Endorsement Programs of Study, students may choose to meet additional requirements for the following endorsements:

- 1) STEM – Completion of Algebra II and two additional math courses for which Algebra II is a prerequisite
- 2) STEM – Completion of Algebra II, Chemistry, Physics and a sequence of three additional credits from two of the following disciplines: Math or Science
- 3) Multi-disciplinary – Completion of four credits in each of the four foundation subject areas to include English IV and Chemistry and/or Physics
- 4) Multi-disciplinary – Completion of four credits in Advanced Placement or Dual Credit: 1 English, 1 math, 1 science, and 1 social studies

Public Service Endorsements		
	Health Science: EMT <i>[Beginning in 2018-2019]</i>	Health Science
English 4 Credits	English I English II English III 4th Year English	English I English II English III 4th Year English
Math 4 Credits <i>*Discuss alternate sequences with the counselor</i>	Algebra I Geometry Algebra II 4th Year Math	Algebra I Geometry Algebra II 4th Year Math
Science 4 Credits <i>*Discuss alternate sequences with the counselor</i>	Biology Chemistry Physics Anatomy & Physiology	Biology Chemistry Physics Anatomy & Physiology
Social Studies 3 Credits	World History U.S. History Government (.5) Economics (.5)	World History U.S. History Government (.5) Economics (.5)
Speech .5 Credit	Professional Communications	Professional Communications
Health .5 Credit	Health/Lifetime Nutrition & Wellness	Health/Lifetime Nutrition & Wellness
Money Matters 1 Credit	Money Matters	Money Matters
Fine Arts 1 Credit	Fine Arts I	Fine Arts I
PE 1 Credit	PE	PE
LOTE 2 Credits	Spanish I Spanish II	Spanish I Spanish II
Coherent Sequence	Principles of Health Science Anatomy & Physiology Health Science Theory (<i>Beginning in 2019-2020</i>) Health Science Clinical (<i>Beginning in 2019-2020</i>)	Professional Communications/LNW Principles of Health Science Anatomy & Physiology Medical Microbiology
Recommended Electives	Sports Medicine Other Electives	Sports Medicine Other Electives
LVISD Requires 28 Credits to Graduate	28 Credits	28 Credits

Note: After selecting at least one Endorsement Programs of Study, students may choose to meet additional requirements for the following endorsements:

- 1) STEM – Completion of Algebra II and two additional math courses for which Algebra II is a prerequisite
- 2) STEM – Completion of Algebra II, Chemistry, Physics and a sequence of three additional credits from two of the following disciplines: Math or Science
- 3) Multi-disciplinary – Completion of four credits in each of the four foundation subject areas to include English IV and Chemistry and/or Physics
- 4) Multi-disciplinary – Completion of four credits in Advanced Placement or Dual Credit: 1 English, 1 math, 1 science, and 1 social studies

STEM Endorsements		
	Computer Information Technology (STEM)	Health Science (STEM)
English 4 Credits	English I English II English III 4th Year English	English I English II English III 4th Year English
Math 4 Credits <i>*Discuss alternate sequences with the counselor</i>	Algebra I Geometry Algebra II 4th Year Math	Algebra I Geometry Algebra II 4th Year Math
Science 4 Credits <i>*Discuss alternate sequences with the counselor</i>	Biology Chemistry Physics 4th Year Science	Biology Chemistry Physics Anatomy & Physiology
Social Studies 3 Credits	World History U.S. History Government (.5) Economics (.5)	World History U.S. History Government (.5) Economics (.5)
Speech .5 Credit	Professional Communications	Professional Communications
Health .5 Credit	Health/Lifetime Nutrition & Wellness	Health/Lifetime Nutrition & Wellness
Money Matters 1 Credit	Money Matters	Money Matters
Fine Arts 1 Credit	Fine Arts I	Fine Arts I
PE 1 Credit	PE	PE
LOTE 2 Credits	Spanish I Spanish II	Spanish I Spanish II
Coherent Sequence	Algebra II Chemistry Physics Computer Programming I CR Computer Programming II AP Computer Science	Chemistry Physics Medical Microbiology Anatomy & Physiology
Recommended Electives	Robotics I Robotics II	Sports Medicine Statistics
LVISD Requires 28 Credits to Graduate	28 Credits	28 Credits

Note: After selecting at least one Endorsement Programs of Study, students may choose to meet additional requirements for the following endorsements:

- 1) STEM – Completion of Algebra II and two additional math courses for which Algebra II is a prerequisite
- 2) STEM – Completion of Algebra II, Chemistry, Physics and a sequence of three additional credits from two of the following disciplines: Math or Science
- 3) Multi-disciplinary – Completion of four credits in each of the four foundation subject areas to include English IV and Chemistry and/or Physics
- 4) Multi-disciplinary – Completion of four credits in Advanced Placement or Dual Credit: 1 English, 1 math, 1 science, and 1 social studies

STEM Endorsements:		
	Advanced Mathematics	Advanced Science
English 4 Credits	English I English II English III 4th Year English	English I English II English III 4th Year English
Math 4 Credits <i>*Discuss alternate sequences with the counselor</i>	Algebra I CR Geometry OR Algebra II OR Precalculus	Algebra I Geometry Algebra II 4th Year Math
Science 4 Credits <i>*Discuss alternate sequences with the counselor</i>	Biology Chemistry Physics 4th Year Science	Biology Chemistry Physics 4th Year Science
Social Studies 3 Credits	World History U.S. History Government (.5) Economics (.5)	World History U.S. History Government (.5) Economics (.5)
Speech .5 Credit	Professional Communications	Professional Communications
Health .5 Credit	Health/Lifetime Nutrition & Wellness	Health/Lifetime Nutrition & Wellness
Money Matters 1 Credit	Money Matters	Money Matters
Fine Arts 1 Credit	Fine Arts I	Fine Arts I
PE 1 Credit	PE	PE
LOTE 2 Credits	Spanish I Spanish II	Spanish I Spanish II
Coherent Sequence	OnRamps Algebra II OnRamps Precalculus AP Calculus or OnRamps Statistics	Chemistry Physics <i>Two of the following:</i> AP Biology OR Chemistry AP Environmental Science OR Physics Scientific Research & Design
Recommended Electives	AP Calculus BC AP Computer Science	Other Electives
LVISD Requires 28 Credits to Graduate	28 Credits	28 Credits

Note: After selecting at least one Endorsement Programs of Study, students may choose to meet additional requirements for the following endorsements:

- 1) STEM – Completion of Algebra II and two additional math courses for which Algebra II is a prerequisite
- 2) STEM – Completion of Algebra II, Chemistry, Physics and a sequence of three additional credits from two of the following disciplines: Math or Science
- 3) Multi-disciplinary – Completion of four credits in each of the four foundation subject areas to include English IV and Chemistry and/or Physics
- 4) Multi-disciplinary – Completion of four credits in Advanced Placement or Dual Credit: 1 English, 1 math, 1 science, and 1 social studies

Foundation High School Program Frequently Asked Questions (FAQ)

What is an endorsement?

An endorsement is a coherent sequence of courses in a specific area of study that may lead to a career path or program of study in college. Think of it as a college “major”, but in high school. Each incoming 9th grader must indicate in writing at least one endorsement choice with the goal of completing the coherent sequence of courses within that area of study. For example, a student who wants to be a nurse should consider the Health Science endorsement in high school to help build a foundation for college.

What are the five endorsements areas the State allows?

Arts & Humanities, Business & Industry, Multidisciplinary Studies, Public Services, and STEM (Science, Technology, Engineering and Math)

Which endorsement areas does Lago Vista ISD offer?

School districts are required to offer at least one endorsement area. Lago Vista ISD offers programs of study in three endorsement areas: Arts & Humanities, Business & Industry, and STEM. In addition to selecting at least one endorsement, students may also choose to complete the requirements to add a STEM or Multidisciplinary endorsement to his/her graduation plan.

When do students choose their endorsements for high school?

A school district must ensure that each student indicates in writing an endorsement that the student intends to earn. This must occur upon entering ninth grade.

Can a student earn more than one endorsement?

Yes. Texas school districts must allow a student to enroll in courses under more than one endorsement before the student's junior year. Lago Vista ISD encourages all students to select additional endorsements in areas of interest.

Can a student change endorsements?

Yes. While a district is not required to offer all endorsements, students may choose to earn an endorsement other than the endorsement the student previously indicated from among the available endorsements. Students interested in changing endorsements must see the school counselor. Changing endorsements does not automatically allow a student to pursue schedule changes. All schedule changes will proceed per the established guidelines.

Does every student have to graduate with an endorsement?

No. The default graduation plan upon entry to high school in Lago Vista ISD is the FHSP Distinguished Level of Achievement, which requires Algebra II and the completion of at least one endorsement. A student may opt to graduate Foundation High School Program only without an endorsement after the student's sophomore year if the student and the student's parent or guardian are (a) advised by a school counselor of the specific benefits of graduating from high school with one or more endorsements, and (b) the student's parent or guardian files with a school counselor written permission, on a form adopted by the Texas Education Agency (TEA), allowing the student to graduate under the Foundation High School Program without earning an endorsement. Regardless of the graduation plan a student is placed on, Lago Vista ISD requires all students to earn a total of 28 credits to graduate.

May a course satisfy both a foundation and an endorsement requirement?

Yes. A course completed as part of the set of four courses needed to satisfy an endorsement requirement may also satisfy a requirement under the Foundation High School Program, including an elective requirement. A student must still earn a total of 26 credits to graduate on the Foundation High School Program with an endorsement. Lago Vista ISD requires all students to earn a total of 28 credits to graduate.

Do I have to take Professional Communications (Speech)?

Yes. Although it is no longer a state graduation requirement, each Texas school district is responsible for ensuring that students demonstrate proficiency in the speech skills required by §74.11(a)(3). In Lago Vista ISD, Professional Communications is used to meet the speech requirement.

Do I have to take Money Matters?

Yes. Although it is no longer a state graduation requirement, each Texas school district is responsible for ensuring that students are provided instruction in personal financial literacy, as required by §28.0021(b). In Lago Vista ISD, Money Matters is used to meet the personal financial literacy requirement. This course may be substituted by taking the Personal Financial Literacy course.

Do I have to take Health/Lifetime Nutrition & Wellness?

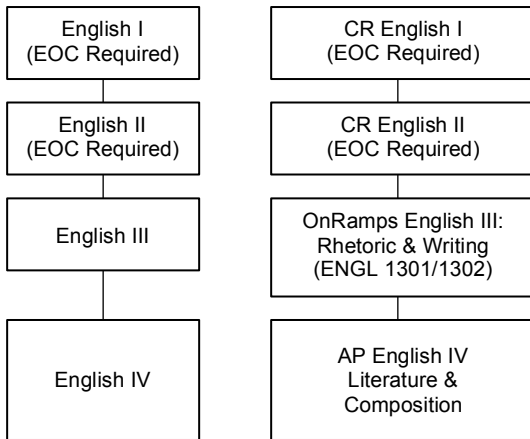
Yes. Although it is no longer a state graduation requirement, each Texas school district is responsible for providing Cardiopulmonary Resuscitation (CPR) instruction to each student at least once before graduation from high school, as required by §28.0023. In Lago Vista ISD, Health/Lifetime Nutrition & Wellness is used to meet the CPR requirement.

Course Descriptions

Courses in this guide may not be offered in a given year. Other than required courses, course offerings may vary based upon the number of student requests for the course and the availability of appropriately credentialed staff.

English/Language Arts

LVHS Recommended English Course Sequences



English I

Course Number: 2101

PEIMS #03220100

Credit: 1, Full Year

Prerequisite: None

Students will develop an understanding for reading, writing, research, listening, speaking, and the oral and written conventions of the English language. Students will engage in activities that build on their prior knowledge and skills in order to strengthen their reading, writing, and oral language skills. In addition, students will continue to address earlier standards as needed while they attend to standards for their grade level. Students will read extensively from multiple genres including classical and traditional literature.

College Readiness English I

Course Number: 2111

PEIMS #03220100

Credit: 1, Full Year

Prerequisite: None

College Readiness English I is designed for students with high academic interest and a strong work ethic in English Language Arts. The College Readiness class serves as the foundation for college-level work, specifically for English III OnRamps: Rhetoric & Writing and AP English IV Literature & Composition. Emphasis is placed on developing students' skills in critical, analytical and creative thinking, close reading, grammar, and composition. Students will read extensively in multiple genres from diverse time periods and cultures. Summer reading may be required. Students who wish to take advanced English courses should consider this course.

English II

Course Number: 2102

PEIMS #03220200

Credit: 1, Full Year

Prerequisite: English I recommended

Students will develop an understanding for reading, writing, research, listening, speaking, and the oral and written conventions of English. Students will engage in activities that build on their prior knowledge and skills in order to strengthen their reading, writing, and oral language skills. In addition, students will continue to address earlier standards, as needed, while they attend to standards for their grade level. Students will read extensively from multiple genres, including world literature.

College Readiness English II

Course Number: 2112

PEIMS #03220200

Credit: 1, Full Year

Prerequisite: English I recommended

College Readiness English II is designed for students with high academic interest and a strong work ethic in English Language Arts. The College Readiness class serves as the foundation for college-level work, specifically for English III OnRamps: Rhetoric & Writing and AP English IV Literature & Composition. Emphasis is placed on developing students' skills in critical, analytical and creative thinking, close reading, grammar, and composition. Students will read extensively in multiple genres from diverse time periods and cultures. Summer reading may be required. Students who wish to take advanced English courses should consider this course. *Note: All students enrolled will have a summer reading assignment.*

English III

Course Number: 2103

PEIMS #03220300

Credit: 1, Full Year

Prerequisite: English II recommended

Students will develop an understanding for reading, writing, research, listening, speaking, and the oral and written conventions of English. Students will engage in activities that build on their prior knowledge and skills in order to strengthen their reading, writing, and oral language skills. In addition, students will continue to address earlier standards as needed while they attend to standards for their grade level. Students will read extensively from multiple genres with an emphasis on American literature.

OnRamps English III: Rhetoric & Writing

(ENGL 1301/1302)

Course Number: 2116

PEIMS #03220300

Credit: 1, Full Year

Prerequisite: English I and English II; College Readiness English recommended; Successful completion of English I EOC and English II EOC recommended

OnRamps English III: Rhetoric & Writing begins with a summer reading assignment, which becomes the basis for the first several weeks' study. This college-level course

challenges students to develop and deepen their skills by reading, analyzing, and composing arguments. The recursive practices of invention, drafting, revising, editing, and proofreading are fundamental to the curriculum. Critical thinking skills are developed through the reading and analysis of American literature and language from diverse time periods and cultures. Special emphasis is placed on the reading, writing, and analysis of contemporary rhetorical texts. Students are required to use rhetorical analysis, critical evaluation, and advanced writing techniques. Students who demonstrate college readiness through the course may be eligible to earn dual college credit through UT-Austin. A student who is not eligible to earn dual credit may continue to be enrolled in the course for high school English III credit only. *Note: All students enrolled will have a summer reading assignment.*

English IV

Course Number: 2118

PEIMS #03220400

Credit: 1, Full Year

Prerequisite: *English III recommended*

English IV is designed to prepare students for college/career level reading and writing intensive courses including freshman composition and other introductory college courses. Students use critical writing and reading skills to develop and represent the processes and products of their critical thinking. Through critical writing and reading, writers think through ideas, problems and issues; identify and challenge assumptions; and explore multiple ways of understanding. This is important in college as writers are asked to move past obvious or surface-level interpretations and use writing to make sense of and respond to written, visual, verbal and other texts that they encounter. Writers learn to move back and forth through different stages of writing, adapting those stages to the situation to independently produce final, polished texts. Writers are also expected to publish to audiences within and beyond the classroom. Students read texts in both digital and traditional formats from diverse authors as they practice 21st-century literacy skills. A balance of literary and informational text analysis and writing tasks offer students multiple opportunities to produce products for authentic audiences and purposes.

AP English IV Literature and Composition

Course Number: 2114

PEIMS #A3220200

Credit: 1, Full Year

Prerequisite: *English III recommended*

This college-level course prepares students to take the AP Literature and Composition exam for possible college credit and serves as a cursory survey of British literature. Critical and creative thinking skills are developed through the reading and in-depth analysis of various genres of literature through required readings, discussions, essays and exams. Students will examine literary works and analyze literary elements in relation to the contemporary experience and the times in which they were written. Summer reading may be required. **Students must take the corresponding Advanced Placement (AP) examination in order to receive the 1.25 GPA multiplier.**

Speech

Professional Communications

Course Number: 2751

PEIMS #13009900

Credit: ½, Semester

Prerequisite: *None*

Professional Communications blends written, oral, and graphic communication in a career-based environment. Careers in the global economy require individuals to have a strong and solid academic foundation and a proficiency in professional oral and written communication. Students will be expected to develop and expand the ability to write, read, edit, speak, listen, and conduct Internet research. **This course will satisfy the Speech requirement.**

English Electives

Advanced Journalism: Yearbook I

Course Number: 2131

PEIMS #03230110

Credit: 1, Full Year

Prerequisite: *None*

Advanced Journalism: Yearbook I students become actively involved in the publishing of the school yearbook. Students get practical experience in advertising sales, layout design, writing, editing, desktop publishing, and basic photography as they help produce the yearbook. Leadership, dependability, and responsibility are exercised in learning to deal with people in a deadline situation. Students are expected to plan, draft, and complete written and/or visual communications on a regular basis, carefully examining their copy for clarity, engaging language, and the correct use of the conventions and mechanics of written English. Students in Advanced Journalism are expected to become analytical consumers of media and technology to enhance their communication skills. Published works of professional journalists, technology, and visual and electronic media are used as tools for learning as students create, clarify, critique, write, and produce effective communications. This course will require some after school time.

Advanced Journalism: Yearbook II

Course Number: 2132

PEIMS #03230120

Credit: 1, Full Year

Prerequisite: *Advanced Journalism: Yearbook I recommended*

Advanced Journalism: Yearbook II students become actively involved in the publishing of the school yearbook. Students get practical experience in advertising sales, layout design, writing, editing, desktop publishing, and basic photography as they help produce the yearbook. Leadership, dependability, and responsibility are exercised in learning to deal with people in a deadline situation. Students are expected to plan, draft, and complete written and/or visual communications on a regular basis, carefully examining their copy for clarity, engaging language, and the correct use of the conventions and mechanics of written English. Students in Advanced Journalism are expected to become analytical consumers of media and technology to enhance their communication skills. Published works of professional journalists, technology, and visual and electronic media are used as tools for learning as students create, clarify, critique, write, and produce effective communications. This course will require some after school time.

Advanced Journalism: Yearbook III

Course Number: 2133

PEIMS #03230130

Credit: 1, Full Year

Prerequisite: *Advanced Journalism: Yearbook II recommended*

Advanced Journalism: Yearbook III students become actively involved in the publishing of the school yearbook. Students get practical experience in advertising sales, layout design, writing, editing, desktop publishing, and basic photography as they help produce the yearbook. Leadership, dependability, and responsibility are exercised in learning to deal with people in a deadline situation. Students are expected to plan, draft, and complete written and/or visual communications on a regular basis, carefully examining their copy for clarity, engaging language, and the correct use of the conventions and mechanics of written English. Students in Advanced Journalism are expected to become analytical consumers of media and technology to enhance their communication skills. Published works of professional journalists, technology, and visual and electronic media are used as tools for learning as students create, clarify, critique, write, and produce effective communications. This course will require some after school time.

Independent Study in Journalism: Yearbook

Course Number: 2134

PEIMS #03231000

Credit: 1, Full Year

Prerequisite: *Teacher approval*

Students enrolled in Independent Study in Journalism are expected to plan, draft, and complete written communications on a regular basis, carefully examining their copy for clarity, engaging language, and the correct use of the conventions and mechanics of written English. Students enrolled in Independent Study in Journalism will refine and enhance their journalistic skills, research self-selected topics, plan, organize, and prepare a project(s). **This is the capstone course for students completing an endorsement in Journalism (Yearbook).**

Debate I

Course Number: 2181

PEIMS #03240600

Credit: 1, Full Year

Prerequisite: *None*

Controversial issues arise in aspects of personal, social public, and professional life in modern society. Debate and argumentation are widely used to make decisions and reduce conflict. Students who develop skills in argumentation and debate become interested in current issues, develop sound critical thinking, and sharpen communication skills. They acquire life-long skills for intelligently approaching controversial issues. Debate I consists of the study of argumentation and rhetoric development on diverse political topics through multiple formats of debate. Students are taught how to think and listen critically as well as express those ideas in a constructive and efficient format. Creation of debate cases, speech writing, and practice debates will all be assessed. Debate requires tournament participation, as well as extensive student-led research.

Debate II

Course Number: 2182

PEIMS #03240700

Credit: 1, Full Year

Prerequisite: *Debate I recommended*

Controversial issues arise in aspects of personal, social public, and professional life in modern society. Debate and argumentation are widely used to make decisions and reduce conflict. Students who develop skills in argumentation and debate become interested in current issues, develop sound critical thinking, and sharpen communication skills. They acquire life-long skills for intelligently approaching controversial issues. This is the upper-level speech and debate class for competitive varsity members. Tournament participation is required. This class will focus on developing student's abilities in the events of their choosing. This class is for students who want to be serious competitors on the speech and debate circuit.

Debate III

Course Number: 2183

PEIMS #03240800

Credit: 1, Full Year

Prerequisite: *Debate II recommended*

Controversial issues arise in aspects of personal, social public, and professional life in modern society. Debate and argumentation are widely used to make decisions and reduce conflict. Students who develop skills in argumentation and debate become interested in current issues, develop sound critical thinking, and sharpen communication skills. They acquire life-long skills for intelligently approaching controversial issues. This is the upper-level speech and debate class for competitive varsity members. Tournament participation is required. This class will focus on developing student's abilities in the events of their choosing. This class is for students who want to be serious competitors on the speech and debate circuit.

Independent Study in Speech

Course Number: 2184

PEIMS #03241200

Credit: 1, Full Year

Prerequisite: *Teacher approval*

Communication skills are important in all aspects of life. Independent Study in Speech provides opportunities for advanced students to plan, organize, produce, perform, and evaluate a project that enables them to develop advanced skills in communication, critical thinking, and problem solving. **This is the capstone course for students completing an endorsement in Speech Communications.**

English Enrichment

Course Number: 2319

PEIMS #03221800

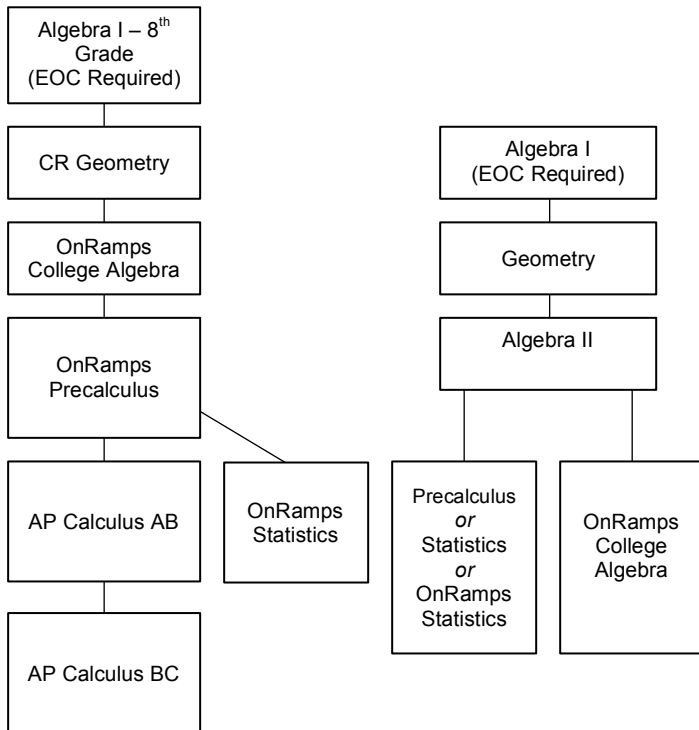
Credit: 1, Full Year

Prerequisite: *None*

In this course, students will read and write in multiple forms for a variety of audiences and purposes. Students are expected to plan, draft, and complete written compositions on a regular basis and carefully examine their papers for clarity, engaging language, and the correct use of the conventions and mechanics of written English. **Students who failed to meet standard on the previous year ELAR STAAR assessment, or who otherwise demonstrate need, will be placed in this academic support class. This course is a supplement to the student's regular grade-level English course and is taken in place of an elective.**

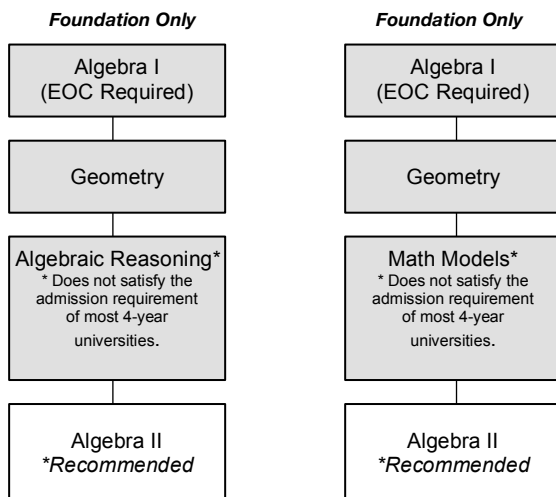
Mathematics

LVHS Recommended Math Course Sequences



Alternate Math Sequences

Please discuss these options with the campus counselor.



Algebra I

Course Number: 2201

PEIMS #03100500

Credit: 1, Full Year

Prerequisite: None

In Algebra I, students will build on the knowledge and skills for mathematics in Grades 6-8, which provide a foundation in linear relationships, number and operations, and

proportionality. Students will study linear, quadratic, and exponential functions and their related transformations, equations, and associated solutions. Students will connect functions and their associated solutions in both mathematical and real-world situations. Students will use technology to collect and explore data and analyze statistical relationships. In addition, students will study polynomials of degree one and two, radical expressions, sequences, and laws of exponents. Students will generate and solve linear systems with two equations and two variables and will create new functions through transformations. Special emphasis is placed on problem solving and application of skills and concepts.

Geometry

Course Number: 2210

PEIMS #03100700

Credit: 1, Full Year

Prerequisite: Algebra I

In Geometry, students will strengthen their mathematical reasoning skills in geometric contexts. Within the course, students will begin to focus on more precise terminology, symbolic representations, and the development of proofs. Students will explore concepts covering coordinate and transformational geometry; logical argument and constructions; proof and congruence; similarity, proof, and trigonometry; two- and three-dimensional figures; circles; and probability. Students are expected to create formal constructions using a straight edge and compass. In proof and congruence, students will use deductive reasoning to justify, prove and apply theorems about geometric figures. Students will use their proportional reasoning skills to prove and apply theorems and solve problems. Using patterns to identify geometric properties, students will apply theorems about circles to determine relationships between special segments and angles in circles.

College Readiness Geometry

Course Number: 2213

PEIMS #03100700

Credit: 1, Full Year

Prerequisite: Algebra I

College Readiness Geometry is designed for students with high academic interest and a strong work ethic. In addition to the prescribed curriculum for geometry, this course is designed to address high level thinking and problem solving skills. Students will explore concepts covering coordinate and transformational geometry; logical argument and constructions; proof and congruence; similarity, proof, and trigonometry; two- and three-dimensional figures; circles; and probability. Students are expected to create formal constructions using a straight edge and compass. In proof and congruence, students will use deductive reasoning to justify, prove and apply theorems about geometric figures. Students will use their proportional reasoning skills to prove and apply theorems and solve problems. Using patterns to identify geometric properties, students will apply theorems about circles to determine relationships between special segments and angles in circles. Students who wish to take advanced placement math courses should consider this course.

Algebra II

Course Number: 2202

PEIMS #03100600

Credit: 1, Full Year

Prerequisite: Algebra I

In Algebra II, students will build on the knowledge and skills for mathematics in Kindergarten-Grade 8 and Algebra I. Students will broaden their knowledge of quadratic functions, exponential functions, and systems of equations. Students will study logarithmic, square root, cubic, cube root, absolute value, rational functions, and their related equations. Students will connect functions to their inverses and associated equations and solutions in both mathematical and real-world situations. In addition, students will extend their knowledge of data analysis and numeric and algebraic methods.

OnRamps Algebra II: College Algebra (MATH 1314)

Course Number: 2212

PEIMS #03100600

Credit: 1, Full Year

Prerequisite: Algebra I; Geometry

This college-level course focuses on applications of polynomial, rational, radical, absolute value, piecewise defined, exponential, and logarithmic functions, equations, inequalities, graphing skills, and systems of equations using matrices. OnRamps College Algebra is designed for students with high academic interest and a strong work ethic. In addition to the prescribed curriculum for Algebra II, this course will address higher-level thinking and problem solving skills. Students will build on the knowledge and skills for mathematics in Kindergarten-Grade 8 and Algebra I. Students will broaden their knowledge of quadratic functions, exponential functions, and systems of equations. Students will study logarithmic, square root, cubic, cube root, absolute value, rational functions, and their related equations. Students will connect functions to their inverses and associated equations and solutions in both mathematical and real-world situations. In addition, students will extend their knowledge of data analysis and numeric and algebraic methods. Graphing calculators will be utilized extensively. Students who demonstrate college readiness through the course may be eligible to earn college credit through UT-Austin in the second semester. A student who is not eligible for the opportunity to earn college credit may continue to be enrolled in the course during the spring semester for the opportunity to earn high school credit only. Students who wish to take advanced placement math courses should consider this course. **Note: This course counts for local credit only if taken after Algebra II credit is earned.**

Precalculus

Course Number: 2220

PEIMS #03101100

Credit: 1, Full Year

Prerequisite: Algebra I; Geometry; Algebra II

Precalculus is the preparation for calculus. The course approaches topics from a function point of view, where appropriate, and is designed to strengthen and enhance conceptual understanding and mathematical reasoning used when modeling and solving mathematical and real-world problems. Students systematically work with functions and their multiple representations. The study of precalculus deepens students' mathematical understanding and fluency with algebra and trigonometry and extends their ability to

make connections and apply concepts and procedures at higher levels. Students investigate and explore mathematical ideas, develop multiple strategies for analyzing complex situations, and use technology to build understanding, make connections between representations, and provide support in solving problems.

OnRamps Precalculus (MATH 2312)

Course Number: 2224

PEIMS #03101100

Credit: 1, Full Year

Prerequisite: Algebra I; Geometry; Algebra II

In OnRamps Precalculus, students deepen and extend their knowledge of functions, graphs, and equations so that they can successfully work with the concepts in a rigorous university-level calculus course. This course emphasizes conceptual understanding of mathematical definitions and developing logical arguments. This course is an advanced preparation for calculus and approaches topics from a function point of view where students systematically work with functions and their multiple representations. The study of precalculus deepens students' mathematical understanding and fluency with algebra and trigonometry and extends their ability to make connections and apply concepts and procedures at higher levels. Students investigate and explore mathematical ideas, develop multiple strategies for analyzing complex situations, and use technology to build understanding, make connections between representations, and provide support in solving problems. Students who demonstrate college readiness through the course may be eligible to earn college credit through UT-Austin in the second semester. A student who is not eligible for the opportunity to earn college credit may continue to be enrolled in the course during the spring semester for the opportunity to earn high school credit only.

AP Calculus AB

Course Number: 2222

PEIMS #A3100101

Credit: 1, Full Year

Prerequisite: Precalculus

This college-level course follows the AB Calculus outline prescribed by the College Board and prepares students to take the AP Calculus AB Exam for possible college credit. It is equivalent to the first semester of college calculus and includes practical applications of calculus. Topics include limits and continuity of functions; derivatives and their applications; definite integrals and their applications; elementary techniques and applications of anti-differentiation, including differential equations and slope fields. Graphing calculators will be used extensively.

Students must take the corresponding Advanced Placement (AP) examination in order to receive the 1.25 GPA multiplier.

AP Calculus BC

Course Number: 2223

PEIMS #A3100102

Credit: 1, Full Year

Prerequisite: Precalculus

This college-level course follows the BC Calculus outline prescribed by the College Board and prepares students to take the AP Calculus BC Exam for possible college credit. It includes all Calculus AB topics plus additional material including the calculus of parametric and polar curves, vectors, Euler's method, improper integrals, advanced

techniques of integration, and sequences and series. This course is equivalent to the content taught in a full year of college calculus. Graphing calculators will be used extensively. **Students must take the corresponding Advanced Placement (AP) examination in order to receive the 1.25 GPA multiplier.**

Statistics and Business Decision Making

Course Number: 2176 PEIMS #13016900

Credit: 1, Full Year

Prerequisite: Algebra II

This course prepares students to take entry-level statistics in college. Students should have a solid foundation in algebra prior to enrollment. This course will introduce students to four major conceptual themes: observing and exploring data; planning a statistically valid investigation; anticipating patterns and using probability and simulations for predicting outcomes; and confirming or rejecting models through statistical inference. Graphing calculators and computers are the primary tools for data analysis. **This course counts for Career and Technical Education credit.**

OnRamps Statistics (MATH 1342)

Course Number: 2177 PEIMS #13016900

Credit: 1, Full Year

Prerequisite: Geometry; Algebra II

This college-level course is equivalent to the content covered in a one-semester introductory college course in statistics. Students should have a solid foundation in algebra prior to enrollment. This course will introduce students to four major conceptual themes: observing and exploring data; planning a statistically valid investigation; anticipating patterns and using probability and simulations for predicting outcomes; and confirming or rejecting models through statistical inference. Students who demonstrate college readiness through the course may be eligible to earn college credit through UT-Austin in the second semester. A student who is not eligible for the opportunity to earn college credit may continue to be enrolled in the course during the spring semester for the opportunity to earn high school credit only. This course is noted on the transcript as Statistics and Business Decision Making. **This course counts for Career and Technical Education credit.**

Additional Math Course Options

Algebraic Reasoning

Course Number: 2204 PEIMS #03102540

Credit: 1, Full Year

Prerequisite: Algebra I

In Algebraic Reasoning, students will build on the knowledge and skills for mathematics in Kindergarten-Grade 8 and Algebra I, continue with the development of mathematical reasoning related to algebraic understandings and processes, and deepen a foundation for studies in subsequent mathematics courses. Students will broaden their knowledge of functions and relationships, including linear, quadratic, square root, rational, cubic, cube root, exponential, absolute value, and logarithmic functions. Students will study these functions through analysis and application that includes explorations of patterns and structure, number and algebraic methods, and modeling

from data using tools that build to workforce and college readiness such as probes, measurement tools, and software tools, including spreadsheets. **Note: This course does not satisfy the admission requirement of most 4-year universities.**

Mathematical Models with Applications

Course Number: 2205 PEIMS #03102400

Credit: 1, Full Year

Prerequisite: Algebra I

Mathematical Models with Applications is designed to build on the knowledge and skills for mathematics in Kindergarten-Grade 8 and Algebra I. This mathematics course provides a path for students to succeed in Algebra II and prepares them for various post-secondary choices. Students learn to apply mathematics through experiences in personal finance, science, engineering, fine arts, and social sciences. In this course, students use algebraic, graphical, and geometric reasoning to recognize patterns and structure, model information, solve problems, and communicate solutions. Students will select from tools such as physical objects; manipulatives; technology, including graphing calculators, data collection devices, and computers; and paper and pencil and from methods such as algebraic techniques, geometric reasoning, patterns, and mental math to solve problems.

Math Electives

Strategic Learning for High School Math

Course Number: 2200 PEIMS #N1110030

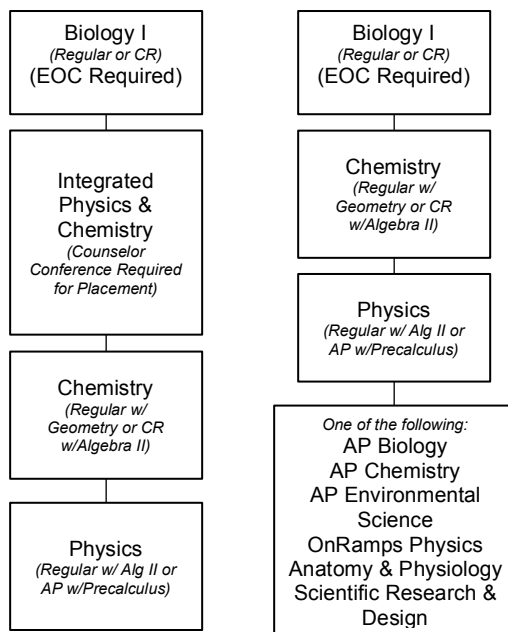
Credit: 1, Full Year

Prerequisite: None

This course is intended to create strategic mathematical learners from underprepared mathematics students. The basic understandings will stimulate students to think about their approach to mathematical learning, including identifying errors in the learning process, input errors, physiological concerns, and key cognitive skills. The essential knowledge and skills will foster a deeper understanding of the task of learning mathematical concepts. Use of personal data and statistical analysis will establish relevance and aid in creation of individualized learning plans (ILPs). Students will work on improving basic math skills in order to better prepare for more advanced algebraic skills. **All students who failed to meet standard on the previous year's Algebra I STAAR EOC assessment, or who otherwise demonstrate need, will be placed in this academic support class. This course is a supplement to the student's regular grade-level math course and is taken in place of an elective. Note: This course does not a mathematics course requirement for graduation.**

Science

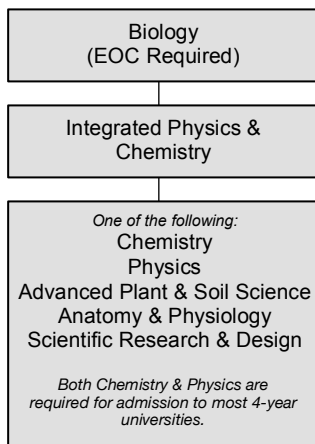
LVHS Recommended Science Course Sequences



Alternate Science Sequence

Please discuss this option with the campus counselor.

Foundation Only



Biology

Course Number: 2301

PEIMS #03010200

Credit: 1, Full Year

Prerequisite: None

In Biology, students conduct laboratory and field investigations, use scientific methods during investigations, and make informed decisions using critical thinking and scientific problem solving. Students in Biology study a variety of topics that include: structures and functions of cells and viruses; growth and development of organisms;

cells, tissues, and organs; nucleic acids and genetics; biological evolution; taxonomy; metabolism and energy transfers in living organisms; living systems; homeostasis; and ecosystems and the environment.

College Readiness Biology

Course Number: 2303

PEIMS #03010200

Credit: 1, Full Year

Prerequisite: None

College Readiness Biology is an advanced course recommended for students with a strong interest in science and good study skills. In College Readiness Biology, students conduct laboratory and field investigations, use scientific methods during investigations, and make informed decisions using critical thinking and scientific problem solving. Students study a variety of topics that include: structures and functions of cells and viruses; growth and development of organisms; cells, tissues, and organs; nucleic acids and genetics; biological evolution; taxonomy; metabolism and energy transfers in living organisms; living systems; homeostasis; and ecosystems and the environment. The presentation of concepts is more accelerated and more in depth. Students who wish to take advanced science courses should consider this course.

AP Biology

Course Number: 2304

PEIMS #A3010200

Credit: 1, Full Year

Prerequisite: Biology or College Readiness Biology and Chemistry or College Readiness Chemistry recommended

This college-level course prepares students to take the AP Biology exam for possible college credit. Laboratory techniques are developed to further students' ability to pursue a career in a biologically related field. Students will conduct laboratory investigations of chemical reactions that occur in organisms. Concepts of molecular and cellular biology, the biology of organisms will be investigated. **Students must take the corresponding Advanced Placement (AP) examination in order to receive the 1.25 GPA multiplier. This course is offered in alternating years.**

Integrated Physics and Chemistry (IPC)

Course Number: 2331

PEIMS #03060201

Credit: 1, Full Year

Prerequisite: IPC must be successfully completed prior to Chemistry and Physics; Biology recommended

In IPC, students conduct laboratory and field investigations, use scientific methods during investigation, and make informed decisions using critical thinking and scientific problem solving. This course integrates the disciplines of physics and chemistry in the following topics: force, motion, energy, and matter. This course serves as a background for subsequent courses in chemistry and physics.

Chemistry

Course Number: 2320

PEIMS #03040000

Credit: 1, Full Year

Prerequisite: *One unit of HS science & Algebra I; Completion of or concurrent enrollment Geometry is recommended*

Students conduct laboratory and field investigations, use scientific methods during investigations, and make informed decisions using critical thinking and scientific problem solving. Students study a variety of topics that include characteristics of matter, the Periodic Table, development of atomic theory and chemical bonding, chemical stoichiometry, gas laws, solution chemistry, thermochemistry, and nuclear chemistry.

College Readiness Chemistry

Course Number: 2322

PEIMS #03040000

Credit: 1, Full Year

Prerequisite: *One unit of high school science & Algebra I; Completion of or concurrent enrollment Algebra II is recommended*

College Readiness Chemistry is an advanced course recommended for students with a strong interest in science and good study skills. In College Readiness Chemistry, students conduct laboratory and field investigations, use scientific methods during investigations, and make informed decisions using critical thinking and scientific problem solving. Students study a variety of topics that include characteristics of matter, use of the Periodic Table, development of atomic theory and chemical bonding, chemical stoichiometry, gas laws, solution chemistry, thermochemistry, and nuclear chemistry. The presentation of concepts is more accelerated and more in depth. Students who wish to take advanced science courses should consider this course.

OnRamps Chemistry (CHEM 1311/CHEM 111)

Course Number: 2323

PEIMS #13037200

Credit: 1, Full Year

Prerequisite: *Chemistry or College Readiness Chemistry and Algebra II recommended*

OnRamps Chemistry is a college-level course that addresses the nature of matter, energy, chemical reactions, and chemical thermodynamics. The course begins with a review of descriptive chemistry of matter in the natural world as well as compositional and reaction stoichiometry of chemical compounds. Throughout the course, students learn to think like scientists by exploring the underlying theoretical foundations of chemistry, making intuitive arguments for how the world works, and supporting those arguments with quantitative measures. Built with an intention to engage students from a variety of backgrounds, students in the course will learn how to successfully study science by organizing their learning around mastery and ownership of materials. The course's lab component, provides an introduction to the techniques of modern experimental chemistry, and is designed to instill basic laboratory and analytical skills. This course may be used to fulfill the science component of the university core curriculum. Students who demonstrate college readiness through the course may be eligible to earn college credit through UT-Austin in the second semester. A student who is not eligible for the opportunity to earn college credit may continue to be

enrolled in the course during the spring semester for the opportunity to earn high school credit only.

Physics

Course Number: 2330

PEIMS #03050000

Credit: 1, Full Year

Prerequisite: *Biology and Chemistry recommended; Completion of or concurrent enrollment in Algebra II recommended*

In Physics, students conduct laboratory and field investigations, use scientific methods during investigations, and make informed decisions using critical thinking and scientific problem solving. Students study a variety of topics that include: laws of motion; changes within physical systems and conservation of energy and momentum; forces; thermodynamics; characteristics and behavior of waves; and atomic, nuclear, and quantum physics. Students who successfully complete Physics will acquire factual knowledge within a conceptual framework, practice experimental design and interpretation, work collaboratively with colleagues, and develop critical thinking skills.

OnRamps Physics (PHYS 1301)

Course Number: 2334

PEIMS #03050000

Credit: 1, Full Year

Prerequisite: *Algebra I, Geometry; Algebra II or Pre-Calculus and College Readiness Chemistry recommended*

OnRamps Physics is a college-level course that is equivalent to the content covered in a one-semester college course in physics. Mechanics, Heat, and Sound introduces big ideas in physics, such as Newtonian mechanics, which describes objects changing their state of motion because of forces causing them to accelerate. Taken together, the topics reinforce the general idea that the behavior of many objects in the world can be described precisely with simple mathematics. This is an algebra-based (non-calculus) course in mechanics that fulfills a general physics requirement. Proficiency in algebra and geometry is assumed. Students will practice problem solving and analyzing physical situations involving motion, force, energy, rotations, heat, oscillations, waves, and sound. Students will explore concepts in small groups, develop ideas, and explain them. This course may be used to fulfill the science component of the university core curriculum. Students who demonstrate college readiness through the course may be eligible to earn college credit through UT-Austin in the second semester. A student who is not eligible for the opportunity to earn college credit may continue to be enrolled in the course during the spring semester for the opportunity to earn high school credit only.

AP Environmental Science

Course Number: 2314

PEIMS #A3020000

Credit: 1, Full Year

Prerequisites: *Algebra I, College Readiness Biology or Biology, College Readiness Chemistry or Chemistry, and Physics or OnRamps Physics recommended*

This college-level course prepares students to take the AP Environmental Science exam for possible college credit. The goal of the AP Environmental Science course is to provide students with the scientific principles, concepts, and methodologies required to understand the interrelationships

of the natural world, to identify and analyze environmental problems both natural and human-made, to evaluate the relative risks associated with these problems, and to examine alternative solutions for resolving and/or preventing them. Environmental science is interdisciplinary; it embraces a wide variety of topics from different areas of study. Yet there are several major unifying constructs, or themes, that cut across the many topics included in the study of environmental science. **This course will count for the fourth year of Science Credit. Students must take the corresponding Advanced Placement (AP) examination in order to receive the 1.25 GPA multiplier. This course is offered in alternating years.**

Additional Science Course Options

Anatomy and Physiology

Course Number: 2306

PEIMS #13020600

Credit: 1, Full Year

Prerequisite: *Biology and a second science credit; This course satisfies a high school science graduation requirement*

The Anatomy and Physiology course is designed for students to conduct laboratory and field investigations, use scientific methods during investigations, and make informed decisions using critical thinking and scientific problem solving. Students in Anatomy and Physiology will study a variety of topics, including the structure and function of the human body and the interaction of body systems for maintaining homeostasis. **Note: This course will count for an advanced science credit and counts for Career and Technical Education credit. This course is recommended for students with a Health Science endorsement.**

Medical Microbiology

Course Number: 2309

PEIMS #13020700

Credit: 1, Full Year

Prerequisite: *Biology and Chemistry. Recommended prerequisite: a course from the Health Science Career Cluster.*

Medical Microbiology is a course in which students conduct laboratory investigations to study the relationships of microorganisms to wellness and disease. Students will develop knowledge and skills related to disease prevention by learning the chain of infection, asepsis, and standard precautions. Pathogenic and nonpathogenic organisms will be identified to assist in the understanding of specific diseases, causative agents, and treatment options. **Note: This course will count for an advanced science credit and counts for Career and Technical Education credit. This course is recommended for students with a Health Science endorsement.**

Advanced Plant & Soil Science

Course Number: 2149

PEIMS #13002100

Credit: 1, Full Year

Prerequisites: *Biology, Integrated Physics and Chemistry, Chemistry, or Physics and a minimum of one credit from the courses in the Agriculture, Food, and Natural Resources Career Cluster are recommended.*

Advanced Plant and Soil Science provides a way of learning about the natural world. Students should know how plant and soil science has influenced a vast body of knowledge, that there are still applications to be discovered, and that plant and soil science is the basis for many other fields of science. To prepare for careers in plant and soil science, students must attain academic skills and knowledge, acquire technical knowledge and skills related to plant and soil science and the workplace, and develop knowledge and skills regarding career opportunities, entry requirements, and industry expectations. To prepare for success, students need opportunities to learn, reinforce, apply, and transfer their knowledge and skills and technologies in a variety of settings. **Note: This course will count for an advanced science credit and counts for Career and Technical Education credit. This course is recommended for students with a Floral Design endorsement.**

Scientific Research and Design: Environmental Science

Course Number: 2311

PEIMS #13037200

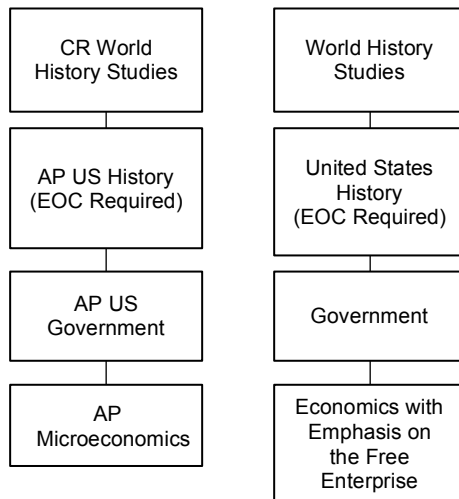
Credit: 1, Full Year

Prerequisite: *Biology, Chemistry, IPC, or Physics required; Completion of three science courses recommended*

Scientific Research and Design: Environmental Science is an advanced science course for motivated, creative, and inquisitive science students where they will experience science through original research. In this course, students conduct laboratory and field investigations, use scientific methods during investigations, and make informed decisions using critical thinking and scientific problem solving. Students study a variety of topics that include: biotic and abiotic factors in habitats, ecosystems and biomes, interrelationships among resources and an environmental system, sources and flow of energy through an environmental system, relationship between carrying capacity and changes in populations and ecosystems, and changes in environments. **Note: This course counts for Career and Technical Education credit.**

Social Studies

LVHS Recommended Social Studies Course Sequences



World History Studies

Course Number: 2403

PEIMS #03340400

Credit: 1, Full Year

Prerequisite: None

World History is a survey of the history of humankind. The major emphasis is on the study of significant people, events, and issues from the earliest times to the present. Traditional historical points of reference in world history are identified as students analyze important events and issues in western civilization as well as in civilizations in other parts of the world. Students evaluate the causes and effects of political and economic imperialism and of major political revolutions since the 17th century. Students examine the impact of geographic factors on major historic events and identify the historic origins of contemporary economic systems and analyze the process by which constitutional governments evolved, as well as the ideas from historic documents that influenced that process. Students trace the historical development of important legal and political concepts and examine the history and impact of major religious and philosophical traditions. Students analyze the connections between major developments in science and technology and the growth of industrial economies, and they use the process of historical inquiry to research, interpret, and use multiple sources of evidence.

College Readiness World History Studies

Course Number: 2413

PEIMS #03340400

Credit: 1, Full Year

Prerequisite: None

College Readiness World History is an advanced course recommended for students with a strong interest in history and good study skills. College Readiness World History is a survey of the history of humankind. The major emphasis is on the study of significant people, events, and issues from the earliest times to the present. Traditional historical points of reference in world history are identified as students

analyze important events and issues in western civilization as well as in civilizations in other parts of the world. Students evaluate the causes and effects of political and economic imperialism and of major political revolutions since the 17th century. Students examine the impact of geographic factors on major historic events and identify the historic origins of contemporary economic systems. Students analyze the process by which constitutional governments evolved as well as the ideas from historic documents that influenced that process. Students trace the historical development of important legal and political concepts. Students examine the history and impact of major religious and philosophical traditions. Students analyze the connections between major developments in science and technology and the growth of industrial economies, and they use the process of historical inquiry to research, interpret, and use multiple sources of evidence. Students who wish to take advanced social studies courses should consider this course.

United States History Studies Since 1877

Course Number: 2401

PEIMS #03340100

Credit: 1, Full Year

Prerequisite: World History recommended

Students in this course study the history of the U.S. from 1877 to the present. The course content is based on the founding documents of the U.S. government, which provide a framework for its heritage. Historical content focuses on the political, economic, and social events and issues related to industrialization and urbanization, major wars, domestic and foreign policies, and reform movements, including civil rights. Students examine the impact of geographic factors on major events and eras and analyze their causes and effects. Students examine the impact of constitutional issues on American society, evaluate the dynamic relationship of the three branches of the federal government, and analyze efforts to expand the democratic process. Students describe the relationship between the arts and popular culture and the times during which they were created. Students analyze the impact of technological innovations on American life. Students use critical-thinking skills and primary and secondary source material to explain and apply different methods that historians use to understand and interpret the past, including multiple points of view and historical context.

AP U.S. History

Course Number: 2402

PEIMS #A3340100

Credit: 1, Full Year

Prerequisite: College Readiness World History recommended

The AP U.S. History course focuses on developing students' understanding of American history from approximately 1491 to the present. The course has students investigate the content of U.S. history for significant events, individuals, developments, and processes in nine historical periods, and develop and use the same thinking skills and methods (analyzing primary and secondary sources, making historical comparisons, chronological reasoning, and argumentation) employed by historians when they study the past. The course also provides seven themes (American and national identity; migration and settlement; politics and power; work, exchange, and technology; America in the world; geography and the environment; and culture and society) that students explore throughout the course in order to make connections

among historical developments in different times and places. **Students must take the corresponding Advanced Placement (AP) examination in order to receive the 1.25 GPA multiplier.**

United States Government

Course Number: 2410

PEIMS #03330100

Credit: ½, Semester

Prerequisite: U.S. History recommended

In United States Government, the focus is on the principles and beliefs upon which the United States was founded and on the structure, functions, and powers of government at the national, state, and local levels. Students learn major political ideas and forms of government in history. A significant focus of the course is on the U.S. Constitution, its underlying principles and ideas, and the form of government it created. Students analyze major concepts of republicanism, federalism, checks and balances, separation of powers, popular sovereignty, and individual rights and compare the U.S. system of government with other political systems. Students identify the role of government in the U.S. free enterprise system and examine the strategic importance of places to the United States. Students analyze the impact of individuals, political parties, interest groups, and the media on the American political system, evaluate the importance of voluntary individual participation in a constitutional republic, and analyze the rights guaranteed by the U.S. Constitution. Students examine the relationship between governmental policies and the culture of the United States. Students identify examples of government policies that encourage scientific research and use critical-thinking skills to create a product on a contemporary government issue.

AP U.S. Government and Politics

Course Number: 2409

PEIMS #A3330100

Credit: ½, Semester

Prerequisite: AP/Dual Credit U.S. History recommended

This college-level course prepares students to take the AP U.S. Government and Politics exam for possible college credit. The class includes both the study of general concepts used to interpret U.S. politics and the analysis of specific examples. Students will evaluate general propositions about government and politics, analyze political relationships between people and institutions and between different institutions, and utilize basic data relevant to government and politics in sustained written arguments.

Students must take the corresponding Advanced Placement (AP) examination in order to receive the 1.25 GPA multiplier.

Economics with Emphasis on the Free Enterprise System and Its Benefits

Course Number: 2501

PEIMS #03310300

Credit: ½, Semester

Prerequisite: U.S. History recommended

Economics focuses on the basic principles concerning production, consumption, and distribution of goods and services (the problem of scarcity) in the United States and a comparison with those in other countries around the world. Students analyze the interaction of supply, demand, and price. Students will investigate the concepts of specialization and international trade, economic growth, key economic

measurements, and monetary and fiscal policy. Students will study the roles of the Federal Reserve System and other financial institutions, government, and businesses in a free enterprise system. Types of business ownership and market structures are discussed. The course also incorporates instruction in personal financial literacy. Students apply critical-thinking skills using economic concepts to evaluate the costs and benefits of economic issues.

AP Microeconomics

Course Number: 2502

PEIMS #A3310100

Credit: ½, Semester

Prerequisite: AP/Dual Credit U.S. History recommended

AP Microeconomics is an introductory college-level course that focuses on the principles of economics that apply to the functions of individual economic decision-makers. The course also develops students' familiarity with the operation of product and factor markets, distributions of income, market failure, and the role of government in promoting greater efficiency and equity in the economy. Students learn to use graphs, charts, and data to analyze, describe, and explain economic concepts. **Students must take the corresponding Advanced Placement (AP) examination in order to receive the 1.25 GPA multiplier.**

Social Studies Electives

World Geography Studies

Course Number: 2405

PEIMS #03320100

Credit: 1, Full Year

Prerequisite: None

In World Geography Studies, students examine people, places, and environments at local, regional, national, and international scales from the spatial and ecological perspectives of geography. Students describe the influence of geography on events of the past and present with emphasis on contemporary issues. A significant portion of the course centers around the physical processes that shape patterns in the physical environment; the characteristics of major landforms, climates, and ecosystems and their interrelationships; the political, economic, and social processes that shape cultural patterns of regions; types and patterns of settlement; the distribution and movement of the world population; relationships among people, places, and environments; and the concept of region.

Personal Financial Literacy

Course Number: 2504

PEIMS #03380082

Credit: ½, Semester

Prerequisite: None

Personal Financial Literacy helps student learn how to make sound, informed financial decisions that will allow them to lead financially secure lifestyles and understand personal financial responsibility. Students analyze decisions involving earning and spending, saving and investing, credit and borrowing, insuring and protecting. Students evaluate the necessity of the purchase, the quality or value of the purchase or investment compared to other alternatives, and the total cost of acquisition, particularly in the context of financing options. Students also understand the power of compound growth on investments and compound interest on debt and how these affect the ability to build wealth over

time. This elective course includes instruction in methods of paying for college and other postsecondary education along with completing the application for federal student aid provided by the U.S. Department of Education.

Fine Arts

Visual Arts

Art I

Course Number: 2901

PEIMS #03500100

Credit: 1, Full Year

Prerequisite: None

Students may fulfill fine arts or elective requirements for graduation by successfully completing this course. Beginning art encompasses a wide variety of experiences, such as elements and principles of art and art history. Students in this course study: a variety of media, both two- and three-dimensional; pencil, ink, charcoal, pastel, tempera, watercolor, clay, and printmaking. Some media may vary. The goal is for students to gain an understanding and appreciation of art. **Note: There is a \$20 materials fee for this course.**

Art II, Drawing I

Course Number: 2902

PEIMS #03500500

Credit: 1, Full Year

Prerequisite: Art I

Students may fulfill an elective requirement for graduation by successfully completing this course. Students will express ideas through original artworks, using a variety of drawing media. They will be able to apply design skills in creating practical applications. The students will study historical periods, as well as critique artwork. **Note: There is a \$30 materials fee for this course.**

Art III, Drawing II

Course Number: 2903

PEIMS #03501300

Credit: 1, Full Year

Prerequisite: Art II and teacher approval

Students will express ideas through original artworks, using a variety of drawing media. They will be able to apply design skills in creating practical applications. Students will study historical periods, as well as critique artwork. **Note: There is a \$30 materials fee for this course.**

Art IV, Drawing III

Course Number: 2904

PEIMS #03502300

Credit: 1, Full Year

Prerequisite: Art III and teacher approval

Students prepare a portfolio, present an exhibition of work, and set up exhibits of other artists' work. Students provide materials for some of the projects. **Note: There is a \$30 materials fee for this course.**

AP Studio Art: Drawing Portfolio

Course Number: 2905

PEIMS #A3500300

Credit: 1, Full Year

Prerequisite: Art I; Art II; Teacher approval

AP Studio Art: Drawing Portfolio is for highly motivated students who are seriously interested in the study of art; the

program demands significant commitment. AP Studio Art is not based on a written exam; instead, students submit portfolios for evaluation at the end of the school year. AP Studio Art encourages creative and systematic investigation of formal and conceptual issues, emphasizing making art as an ongoing process that involves the student in informed and critical decision making. This course helps students develop technical skills and familiarizes them with the functions of the visual elements while encouraging students to become independent thinkers who will contribute inventively and critically to their culture through the making of art. This course is designed to address a very broad interpretation of drawing issues and media. Light and shade, line quality, rendering of form, composition, surface manipulation, and illusion of depth are drawing issues that can be addressed through a variety of means, which could include painting, printmaking, mixed media, etc. A variety of approaches to representation, abstraction and expression may be part of the student's portfolio. **Note: There is a \$50 materials fee for this course. AP Art selection will need to be reviewed and advised by the teacher. Please contact the course instructor before signing up for this course. Students must complete requirements for the corresponding Advanced Placement (AP) examination in order to receive the 1.25 GPA multiplier.**

Theatre Arts

Theatre Arts I

Course Number: 2921

PEIMS #03250100

Credit: 1, Full Year

Prerequisite: None

Students may fulfill an elective requirement for graduation by successfully completing this course. This course will focus on performance. Special emphasis will be given to character development, voice, diction, and body control. This course will begin the study of theatre history and acting styles. Directing will be studied. All aspects of production from a technical standpoint (set design, lights, sounds and etc.) will be explored. This course requires extended rehearsals with some after school, nights, and weekends.

Theatre Arts II

Course Number: 2922

PEIMS #03250200

Credit: 1, Full Year

Prerequisite: Audition and teacher approval

This course will focus on intermediate to advanced skills for theatre performance. Special emphasis will be given to character development, voice, diction, and body control. This course will begin the study of theatre history and acting styles. Directing will be studied. All aspects of production from a technical standpoint (set design, lights, sounds, etc.) will be explored. The Advanced Theatre Arts II-IV courses are offered during a common instructional period. These courses require extended rehearsals with some after school, nights, and weekends.

Theatre Arts III

Course Number: 2923

PEIMS #03250300

Credit: 1, Full Year

Prerequisite: *Theatre Arts II; Audition and teacher approval*

This course will focus on increasingly advanced skills for theatre performance. Special emphasis will be given to character development, voice, diction, and body control. This course will begin the study of theatre history and acting styles. Directing will be studied. All aspects of production from a technical standpoint (set design, lights, sounds, etc.) will be explored. The Advanced Theatre Arts II-IV courses are offered during a common instructional period. These courses require extended rehearsals with some after school, nights, and weekends.

Theatre Arts IV

Course Number: 2924

PEIMS #03250400

Credit: 1, Full Year

Prerequisite: *Theatre Arts III; Audition and teacher approval*

This course will focus on advanced and professional-level skills for theatre performance. Special emphasis will be given to character development, voice, diction, and body control. This course will begin the study of theatre history and acting styles. Directing will be studied. All aspects of production from a technical standpoint (set design, lights, sounds, etc.) will be explored. The Advanced Theatre Arts II-IV courses are offered during a common instructional period. These courses require extended rehearsals with some after school, nights, and weekends.

Musical Theatre I

Course Number: 2930

PEIMS #03251900

Credit: 1, Full Year

Prerequisite: *Theatre Arts I recommended; Audition and teacher approval*

This introductory course will expose students to a wide range of onstage performance disciplines within musical theatre, including acting performance, vocal performance, and dance performance. This course will also provide an atmosphere in which students benefit from a teaching and learning experience in these performance disciplines of musical theatre. Students will receive comprehensive and rigorous instruction so that they may make informed choices about the craft, college, and the profession. The course will enhance and cultivate the creative gifts of each student while encouraging a sense of self-confidence. Students will study and perform the varied styles of musical theatre with special attention to the principals of stage movement, stage vocal technique, stage choreography, acting, characterization, and all other aspects of a musical production. Musical Theatre I-III courses are offered during a common instructional period. This course requires extended rehearsals with some after school, nights, and weekends.

Musical Theatre II

Course Number: 2935

PEIMS #03252000

Credit: 1, Full Year

Prerequisite: *Musical Theatre I; Audition and teacher approval*

Expanding the concepts taught in Musical Theatre I, this course will expose students will enable students to continue

the study of musical theatre arts and perform the varied styles of musical theatre with special attention to the principals of stage movement, stage vocal technique, stage choreography, acting, characterization, and all other aspects of a musical production. Musical Theatre I-III courses are offered during a common instructional period. This course requires extended rehearsals with some after school, nights, and weekends.

Musical Theatre III

Course Number: 2936

PEIMS #03252100

Credit: 1, Full Year

Prerequisite: *Musical Theatre II; Audition and teacher approval*

Deepening students' understanding of concepts taught in Musical Theatre II, this course will expose students will enable students to continue the study of musical theatre arts and perform the varied styles of musical theatre with special attention to the principals of stage movement, stage vocal technique, stage choreography, acting, characterization, and all other aspects of a musical production. Musical Theatre I-III courses are offered during a common instructional period. This course requires extended rehearsals with some after school, nights, and weekends.

Theatre Production I

Course Number: 2927

PEIMS #03250700

Credit: 1, Full Year

Prerequisite: *Theatre Arts I recommended; Audition and teacher approval*

This is an introductory course dealing with various production aspects of theatre. In addition to classroom learning, this course strives to expose students to "hands-on" experiences in theatrical production. Topics include: Theatrical facilities, tools, scenery construction, stage rigging, lighting, principles of design, production evaluation, and technical theatre career opportunities. The Theatre Production I-III courses are offered during a common instructional period and in conjunction with the Advanced Theatre Arts II-IV courses. This course requires extended rehearsals with some after school, nights, and weekends.

Theatre Production II

Course Number: 2928

PEIMS #03250800

Credit: 1, Full Year

Prerequisite: *Technical Theatre I; Audition and teacher approval*

Expanding on the concepts taught in Theatre Production I, this course examines the application of skills used in live productions. Major foci of this class are sound, lighting, stagecraft, advanced rigging and stage management. To apply the concepts taught, after school involvement in productions and other after school events is required. The Theatre Production I-III courses are offered during a common instructional period and in conjunction with the Advanced Theatre Arts II-IV courses. This course requires extended rehearsals with some after school, nights, and weekends.

Theatre Production III

Course Number: 2929

PEIMS #03250900

Credit: 1, Full Year

Prerequisite: *Technical Theatre II; Audition and teacher approval*

Deepening students' understanding of concepts taught in Theatre Production II, this course asks students to make informed choices in the process of creating live productions. This course requires a great deal of motivation as classroom discussions and projects are often student-led. Major areas of study for this class are sound, lighting, stagecraft, rigging, design, and production management. As students move through this third course in the sequence, success is measured in the ability to synthesize and adapt knowledge to solve ever-larger production problems, typically through increased responsibility for production leadership. To apply the concepts taught, extensive after school involvement in productions and other after school events is required. The Theatre Production I-III courses are offered during a common instructional period and in conjunction with the Advanced Theatre Arts II-IV courses. This course requires extended rehearsals with some after school, nights, and weekends.

Band

Marching/Concert Band I

Course Number: 2931

PEIMS #PES00012

Credit: ½, Semester

Course Number: 2738

PEIMS #03150100

Credit: 1, Full Year

Prerequisite: *Audition and teacher approval*

Marching/Concert Band I is the focused study of musical instrument performance skills, basic and advanced music theory, sight-reading skills, marching, concert, ensemble, and solo skills. Participation in band is subject to instructor placement determined by an audition to assess the student's instrumental technique and music reading skill. All band students are required to participate in rehearsals and performances before and after school. The Viking Marching Band performs at all appropriate football games and pep rallies. The group also participates in all UIL related contests and others contests during the semester that prove beneficial to the program. Students participate in Marching Band in the fall and Concert Band in the spring. A rental fee may be charged to offset any repair costs on instruments owned by the District. Students will receive an additional physical education substitution credit for the fall semester of marching band. A student must take two semesters of Marching Band to equal 1 physical education substitution credit.

Marching/Concert Band II

Course Number: 2932

PEIMS #PES00012

Credit: ½, Semester

Course Number: 2738

PEIMS #03150200

Credit: 1, Full Year

Prerequisite: *Audition and teacher approval*

Marching and Concert Band II extends the focus on musical instrument performance skills, basic and advanced music theory, sight-reading skills, marching, concert, ensemble, and solo skills. Participation in band is subject to instructor placement determined by an audition to assess the

student's instrumental technique and music reading skill. All band students are required to participate in rehearsals and performances before and after school. The Viking Marching Band performs at all appropriate football games and pep rallies. The group also participates in all UIL related contests and others contests during the semester that prove beneficial to the program. Students participate in Marching Band in the fall and Concert Band in the spring. Physical education credit may be earned. A student must take two semesters of Marching Band to equal 1 physical education credit. A rental fee may be charged to offset any repair costs on instruments owned by the District.

Marching/Concert Band III

Course Number: 2933

PEIMS #03150300

Credit: 1, Full Year

Prerequisite: *Audition and teacher approval*

Marching and Concert Band III deepens the focus on musical instrument performance skills, basic and advanced music theory, sight-reading skills, marching, concert, ensemble, and solo skills. Participation in band is subject to instructor placement determined by an audition to assess the student's instrumental technique and music reading skill. All band students are required to participate in rehearsals and performances before and after school. The Viking Marching Band performs at all appropriate football games and pep rallies. The group also participates in all UIL related contests and others contests during the semester. Students participate in Marching Band in the fall and Concert Band in the spring. A rental fee may be charged to offset any repair costs on instruments owned by the District.

Marching/Concert Band IV

Course Number: 2934

PEIMS #03150400

Credit: 1, Full Year

Prerequisite: *Audition and teacher approval*

Marching and Concert Band IV focuses on advanced musical instrument performance skills, music theory, sight-reading skills, marching, concert, ensemble, and solo skills. Participation in band is subject to instructor placement determined by an audition to assess the student's instrumental technique and music reading skill. All band students are required to participate in rehearsals and performances before and after school. The Viking Marching Band performs at all appropriate football games and pep rallies. The group also participates in all UIL related contests and others contests during the semester that prove beneficial to the program. Students participate in Marching Band in the fall and Concert Band in the spring. A rental fee may be charged to offset any repair costs on instruments owned by the District.

Marching/Concert Band V

Course Number: 2945

PEIMS #03151700

Credit: 1, Full Year

Prerequisite: *Audition and teacher approval*

Marching and Concert Band V focuses on advanced musical instrument performance skills, music theory, sight-reading skills, marching, concert, ensemble, and solo skills. Participation in band is subject to instructor placement determined by an audition to assess the student's instrumental technique and music reading skill. All band students are required to participate in rehearsals and

performances before and after school. The Viking Marching Band performs at all appropriate football games and pep rallies. The group also participates in all UIL related contests and others contests during the semester that prove beneficial to the program. Students participate in Marching Band in the fall and Concert Band in the spring. A rental fee may be charged to offset any repair costs on instruments owned by the District.

Dance

Dance I: Principles of Dance I

Course Number: 2940

PEIMS #03830100

Credit: 1, Full Year

Prerequisite: None

In Dance I, students develop movement principles and technical skills and explore choreographic and performance qualities. Students develop self-discipline and healthy bodies that move expressively, efficiently, and safely through space and time with a sensitive kinesthetic awareness. Students recognize dance as a vehicle for understanding historical and cultural relevance, increasing an awareness of heritage and traditions of their own and others, and enabling them to participate in a diverse society.

Dance II: Principles of Dance II

Course Number: 2941

PEIMS #03830200

Credit: 1, Full Year

In Dance II, students continue to develop intermediate movement principles and technical skills, as well as self-discipline and healthy bodies that move expressively, efficiently, and safely through space and time with a sensitive kinesthetic awareness. Evaluating and analyzing dance will allow students to strengthen decision-making skills, develop critical and creative thinking, and develop artistic and creative processes

Physical Education/ Athletics & Health

Foundations of Personal Fitness

Course Number: 2739

PEIMS #PES00052

Credit: ½ -Semester-1, Full Year

Prerequisite: None

Foundations of Personal Fitness provides students with a range of knowledge and skills that will enable them to understand the importance of an active lifestyle and to design effective and appropriate personal fitness programs throughout their lives. Activities are based on understanding and establishing personal fitness.

Physical Education II: Aerobic Activities

Course Number: 2740

PEIMS #PES00054

Credit: ½ -Semester-1, Full Year

Prerequisite: None

In Physical Education II: Aerobic Activities, students acquire the knowledge and skills for movement that provide the foundation for enjoyment, continued social development through physical activity, and access to a physically-active

lifestyle. The student exhibits a physically-active lifestyle and understands the relationship between physical-activity and health throughout the lifespan.

Health/Lifetime Nutrition & Wellness

Course Number: 2708

PEIMS #13024500

Credit: ½, Semester

Prerequisite: None

Health/Lifetime Nutrition & Wellness is a study of the care of the body and its systems, as well as the relationship of personal behavior to wellness. Some topics covered are consumer health, nutrition, sex education for family living, use and abuse of tobacco, alcohol and drugs, and growth and development. Community health, environmental studies, disease, fitness, first aid, and safety are also studied. Students will also complete a required training in Cardiopulmonary Resuscitation (CPR). This course is noted on the transcript as Lifetime Nutrition and Wellness. **This course counts for Career and Technical Education credit.**

Athletics

All athletic courses include activities to develop the overall strength, speed, and skill of students. Students must pass a physical examination administered by a medical doctor and must turn a paper copy of that completed physical and medical history form in to the athletic training department to be kept on file. Students must also submit additional required paperwork, signed by a parent or legal guardian and adhere to the guidelines set by the Athletic Director before being allowed to participate in any athletic practice before, during, or after school. Entry into any athletic course is based upon a student's individual performance ability and upon the approval of the Head Coach and/or Athletic Director.

Students may be enrolled in only one section during the regular school day for practice of inter-school competitive athletics and for programs in which body conditioning, training, and other activities in one of the team sports is the objective of the teacher and students. Students who enroll in an athletic class will be subject to removal and placed in a Physical Education class for the remainder of the semester if they do not meet the athletic standard required for participation on a competitive team. Athletic team classes meet every day.

Note: Students receive one PE substitution credit for each year of successful completion of Athletics for a maximum of four credits. All remaining Athletic credits are local credits.

Athletics I - Boys

Course Number: 2731

PEIMS #PES00000

Credit: 1, Full Year

Prerequisite: Athletic Director or head coach approval

Athletics II - Boys

Course Number: 2732

PEIMS #PES00001

Credit: 1, Full Year

Prerequisite: Athletic Director or head coach approval

Athletics III - Boys

Course Number: 2733

PEIMS #PES00002

Credit: 1, Full Year

Prerequisite: *Athletic Director or head coach approval*

Athletics IV - Boys

Course Number: 2734

PEIMS #PES00003

Credit: 1, Full Year

Prerequisite: *Athletic Director or head coach approval*

Athletics I - Girls

Course Number: 2730

PEIMS #PES00000

Credit: 1, Full Year

Prerequisite: *Athletic Director or head coach approval*

Athletics II - Girls

Course Number: 2735

PEIMS #PES00001

Credit: 1, Full Year

Prerequisite: *Athletic Director or head coach approval*

Athletics III- Girls

Course Number: 2736

PEIMS #PES00002

Credit: 1, Full Year

Prerequisite: *Athletic Director or head coach approval*

Athletics IV - Girls

Course Number: 2737

PEIMS #PES00003

Credit: 1, Full Year

Prerequisite: *Athletic Director or head coach approval*

Course Substitutes for Physical Education Credit

The following courses may substitute for the required credit for physical education:

Athletics, Marching

Band, Olympic Caliber Activities, and private/commercially sponsored activities.

A student may not earn more than four credits in Physical Education toward state graduation requirement. Any course substitute for physical education credit does not count in the calculation for weighted GPA.

Please see the high school counselor for more information.

Languages Other Than English

The Foundation High School Program (FHSP) requires a student to have two levels in the language other than English (LOTE). A committee must agree to any substitutions. A student may earn a Performance Acknowledgement for outstanding performance in bilingualism and bi-literacy. Please see the campus counselor for additional information on substitutions and/or earning a Performance Acknowledgment. **Note: Certain programs may substitute for LOTE credit. Please see the LOTE substitution section of the course guide for detailed substitution information.**

Spanish I

Course Number: 2801

PEIMS #03440100

Credit: 1, Full Year

Prerequisite: *None*

Spanish I provides an introduction to the five C's: *communication* (speaking, listening, reading, writing), *culture* (understanding of the people, practices, products and perspectives), *connections* (with other subject areas), *comparisons* (own culture/language with another), and *communities* (using language beyond the school setting for personal and career development). The use of age-level appropriate and culturally authentic resources is imperative to support the teaching of the essential knowledge and skills for languages other than English (LOTE). The use of culturally authentic resources in world language study enables students to make connections with other content areas, to compare the language and culture studied with their own, and to participate in local and global communities.

Spanish II

Course Number: 2802

PEIMS #03440200

Credit: 1, Full Year

Prerequisite: *Successful completion of Level I or teacher recommendation and approval*

Students will further explore the five C's at the intermediate proficiency level: *communication* (speaking, listening, reading, writing), *culture* (understanding of the people, practices, products and perspectives), *connections* (with other subject areas), *comparisons* (own culture/language with another), and *communities* (using language beyond the school setting for personal and career development).

College Readiness Spanish II

Course Number: 2812

PEIMS #03440200

Credit: 1, Full Year

Prerequisite: *Successful completion of Level I or teacher recommendation and approval*

College Readiness is designed for students with high academic interest and a strong work ethic. The College Readiness class serves as the foundation for the Advanced Placement Program, specifically to prepare students for the rigor of the AP class and the AP exam. Students will also further explore the five C's at the intermediate proficiency level: *communication* (speaking, listening, reading, writing), *culture* (understanding of the people, practices, products and perspectives), *connections* (with other subject areas), *comparisons* (own culture/language with another), and *communities* (using language beyond the school setting for personal and career development). Students who wish to take advanced placement Spanish courses should consider this course.

College Readiness Spanish III

Course Number: 2813

PEIMS #03440300

Credit: 1, Full Year

Prerequisite: *Successful completion of Spanish II or teacher recommendation and approval*

College Readiness Spanish III is a college preparatory course designed for students with high academic interest and a strong work ethic. The College Readiness class serves as the foundation for the Advanced Placement Program, specifically to prepare students for the rigor of the AP class

Technology Applications

and the AP exam. In College Readiness Spanish III, students will further explore the five C's at the advanced proficiency level. Students will learn advanced structures and vocabulary necessary to interact socially, communicate ideas, feelings and attitudes, and to provide and request information. Students will further develop reading, writing and analysis skills through authentic materials. The study of Hispanic culture will be highlighted through videos, art, literature and authentic readings. Course will be primarily in Spanish. Students planning on taking AP Spanish are strongly encouraged to take this course. Students who wish to take advanced placement Spanish courses should consider this course. **Note: All students enrolled will have a summer reading assignment.**

AP Spanish IV – Language and Culture

Course Number: 2814

PEIMS #A3440100

Credit: 1, Full Year

Prerequisite: Spanish I, II, III or teacher recommendation and approval

This college-level course prepares students to take the advanced placement test for possible college credit. AP Spanish IV Language and Culture emphasizes communication (understanding and being understood by others) by applying the interpersonal, interpretive and presentational modes of communication in real-life situations. This includes vocabulary usage, language control, communication strategies, and cultural awareness. The course strives not to overemphasize grammatical accuracy at the expense of communication and engages students in an exploration of culture in both contemporary and historical contexts. The course develops students' awareness and appreciation of cultural products (e.g., tools, books, music, laws, conventions, institutions); practices (patterns of social interactions within a culture); and perspectives (values, attitudes, and assumptions). To best facilitate the study of language and culture, the course is taught almost exclusively in Spanish. **Note: All students enrolled will have a summer reading assignment. Students must take the corresponding Advanced Placement (AP) examination in order to receive the 1.25 GPA multiplier.**

AP Spanish V – Literature and Culture

Course Number: 2811

PEIMS #A3440200

Credit: 1, Full Year

Prerequisite: LOTE I, II, III, and AP LOTE IV or teacher recommendation and approval

This college-level course prepares students to take the advanced placement test for possible college credit. AP Spanish V Literature and Culture is a survey of Hispanic Literature. This course stresses oral skills, composition, and grammar while emphasizing the use of Spanish for active communication. The students will develop the following skills: comprehension of formal and informal spoken and written Spanish, acquisition of vocabulary and a deeper grasp of the structure to allow the student to analyze literary works. **Note: All students enrolled will have a summer reading assignment. Students must take the corresponding Advanced Placement (AP) examination in order to receive the 1.25 GPA multiplier.**

AP Computer Science A

Course Number: 2168

PEIMS #A3580100

Credit: 1, Full Year

Prerequisite: Algebra I & Computer Programming I; Algebra II is recommended

This college-level course prepares students to take the AP Computer Science exam for possible college credit. This course can also count as a 4- year mathematics credit. Computer Science AP continues the study of Computer Science I and is designed for students who are preparing for the Advanced Placement examination. Topics include advanced data structures, introduction to computer architecture, extensive programming in Java, and development of a professional quality and extensive programming project. This course is designed for students who are interested in majoring in Computer Science, Science, Management Information System, or Engineering. Students are required to take the Advanced Placement Computer Science Exam at the conclusion of the course.

Students must take the corresponding Advanced Placement (AP) examination in order to receive the 1.25 GPA multiplier. This course will satisfy graduation requirements for mathematics under the Foundation graduation plan. This course counts for Technology Applications credit. This course does NOT count for Career and Technical Education credit.

Digital Forensics

Course Number: 2170

PEIMS #03580360

Credit: 1, Full Year

Prerequisite: Algebra I, Geometry, & Algebra II; Computer Programming I & II recommended

Digital Forensics will foster students' creativity and innovation by presenting opportunities to investigate simulations and case studies, reconstructing computer security incidents, troubleshooting operational problems, and recovering from accidental system damage. Students will collaborate to develop forensic techniques to assist with computer security incident response. Students will learn methods to identify, collect, examine, and analyze data while preserving the integrity of the information and maintaining a strict chain of custody for data. Students will solve problems as they study the application of science to the law. Students will learn digital citizenship by researching current laws and regulations and by practicing integrity and respect. Students will gain an understanding of computing and networking systems that transmit or store electronic data.

Discrete Mathematics

Course Number: 2227

PEIMS #03580370

Credit: 1, Full Year

Prerequisite: Algebra I, Geometry, & Algebra II; Computer Programming I & II recommended

Discrete Mathematics topics are divided into six areas: sets, functions, and relations; basic logic; proof techniques; counting basics; graphs and trees; and discrete probability. Mathematical topics are interwoven with computer science applications to enhance the students' understanding of the

introduced mathematics. Students will develop the ability to see computational problems from a mathematical perspective. Introduced to a formal system (propositional and predicate logic) upon which mathematical reasoning is based, students will acquire the necessary knowledge to read and construct mathematical arguments (proofs), understand mathematical statements (theorems), and use mathematical problem-solving tools and strategies. Students will be introduced to discrete data structures such as sets, discrete functions, and relations and graphs and trees.

Special Programs

AP Seminar

Course Number: 2044

PEIMS #N1130026

Credit: 1, Full Year

Prerequisite: *Acceptance into the Advanced Placement Capstone Diploma Program*

The first course in the AP Capstone™ experience, AP Seminar is course that aims to equip students with the power to analyze and evaluate information with accuracy and precision in order to craft and communicate evidence-based arguments. Using an inquiry framework of questioning, understanding, evaluating, synthesizing, and transforming, students practice reading and analyzing articles, research studies, and foundational, literary, and philosophical texts; listening to and viewing speeches, broadcasts, and personal accounts; experiencing artistic works and performances; conducting research and evaluating evidence; constructing and supporting arguments; and collaborating and communicating. The course topics and themes engage students in cross-curricular conversations that explore the complexities of academic and real-world issues through the examination of divergent perspectives. **Students must take the corresponding Advanced Placement (AP) examination in order to receive the 1.25 GPA multiplier.**

AP Research

Course Number: 2045

PEIMS #N1100014

Credit: 1, Full Year

Prerequisite: *Acceptance into the Advanced Placement Capstone Diploma Program; AP Seminar; Completion of or concurrent enrollment in Statistics is strongly recommended.*

The second course in the AP Capstone™ experience, AP Research allows students to explore deeply an academic topic, problem, or issue of individual interest. Through this inquiry, students design, plan, and conduct a year-long mentored, research-based investigation to address a research question. In the AP Research course, students further their skills acquired in the AP Seminar course by understanding research methodology; employing ethical research practices; and accessing, analyzing, and synthesizing information as they address a research question. The course culminates in an academic thesis paper of approximately 5000 words and a presentation, performance, or exhibition with an oral defense. **Students must take the corresponding Advanced Placement (AP) examination in order to receive the 1.25 GPA multiplier.**

Gifted And Talented Interdisciplinary Studies/Mentor Seminar (G/TISM)

Course Number: 2046

PEIMS #N1290309

Credit: ½ -Semester-1, Full Year

Prerequisite: *Application process*

This course is based on the Exit Level *Texas Performance Standards Project (TPSP)* for gifted/talented (G/T) students and offers a non-traditional learning experience to students who have the ability to create innovative products or performances. Students will work individually with a teacher/facilitator who will help them locate a project mentor; arrange internships, field work/visits, interviews; and monitor their long-term projects. Students will develop a product proposal, compile a portfolio, conduct in-depth research, and prepare for a public presentation to be evaluated by an audience that includes experts in the field of study. **This course is NOT limited to identified G/T students.**

Office Aide

Course Number: 2018

Credit: ½ -Semester-1, Full Year (Local Credit)

Prerequisite: *Seniors only - By invitation*

Students may assist in the various school offices as an aide. Students must be responsible and qualified. Students wanting to work as an office aide should apply with the counselor. Those selected will be evaluated each nine weeks. The evaluation will cover attendance, performance of job requirements, and attitude toward the job. Prior to the beginning of a student aide experience, students must attend an orientation workshop provided by the school. **This course does not count as instructional time for attendance purposes. This is a local credit.**

Path to College & Career I

Course Number: 2027

PEIMS #N1290051

Credit: ½ -Semester-1, Full Year

Prerequisite: *None*

Students in this course receive academic and social support and receive instruction to them prepare for the challenges they of life after high school graduation. This course advances intellectual curiosity, conscientiousness, dependability, emotional stability, and perseverance through tasks that foster deeper levels of thinking and reasoning in the four core content areas. Students develop skills that are essential to productivity in both the collegiate and business worlds, such as time management strategies, goal-setting, prioritization, and communication and presentation skills. **This is a pass/fail course.**

Peer Assistance and Leadership® I (PALs)

Course Number: 2014

PEIMS #N1290005

Credit: 1, Full Year

Prerequisite: *Juniors and seniors only; Application and instructor approval*

The Peer Assistance and Leadership® (PAL) program focuses on working with elementary, middle, and high school age youth. PALs serve as role models and mentors for students in our district. PALs are trained in listening, communication, facilitation, problem solving, and decision-making skills. In addition, PALs participate in various community service projects. **This is a pass/fail course.**

Peer Assistance for Students with Disabilities I

Course Number: 2015

PEIMS #N1290203

Credit: 1, Full Year

Prerequisite: Juniors and seniors only; Application and instructor approval

Peer Assistance for Students with Disabilities I is designed to promote an inclusive educational environment for special education students. Peer assistants assist teachers in general education and special education settings by helping to facilitate inclusion in the classroom. **This is a pass/fail course.**

Peer Assistance for Students with Disabilities II

Course Number: 2016

PEIMS #N1290204

Credit: 1, Full Year

Prerequisite: Peer Assistance for Students with Disabilities I; Seniors only; Application and instructor approval

Peer Assistance for Students with Disabilities II continues the skills and activities designed to promote an inclusive educational environment for special education students. Peer assistants assist teachers in general education and special education settings by helping to facilitate inclusion in the classroom. **This is a pass/fail course.**

Sports Medicine I

Course Number: 2041

PEIMS #N1150040

Credit: 1, Full Year

Prerequisite: None

Sports Medicine I is designed to prepare the student in the science of injury prevention, treatment, and rehabilitation, primarily as it relates to sports. Students will be provided with in-depth knowledge based on the concepts, skills, and techniques commonly used in athletic training. This course includes classroom and practical sessions. This class is highly recommended for anyone considering a career in the medical fields, particularly sports medicine and physical therapy. **This course does NOT count for Career and Technical Education credit.**

Sports Medicine II

Course Number: 2042

PEIMS #N1150041

Credit: 1, Full Year

Prerequisite: Sports Medicine I

Sports Medicine II is designed to continue student preparation in the science of injury prevention, treatment, and rehabilitation, primarily as it relates to sports. Students will be provided with in-depth knowledge based on the concepts, skills and techniques commonly used in Athletic Training. This course includes classroom and practical sessions. This class is highly recommended for anyone considering a career in the medical fields, particularly sports medicine and physical therapy. **This course does NOT count for Career and Technical Education credit.**

Strategic Learning for High School Math

Course Number: 2200

PEIMS #N1110030

Credit: 1, Full Year

Prerequisite: None

This course is intended to create strategic mathematical learners from underprepared mathematics students. The basic understandings will stimulate students to think about their approach to mathematical learning, including

identifying errors in the learning process, input errors, physiological concerns, and key cognitive skills. The essential knowledge and skills will foster a deeper understanding of the task of learning mathematical concepts. Use of personal data and statistical analysis will establish relevance and aid in creation of individualized learning plans (ILPs). Students will work on improving basic math skills in order to better prepare for more advanced algebraic skills. **All students who failed to meet standard on the previous year's Algebra I STAAR EOC assessment, or who otherwise demonstrate need, will be placed in this academic support class. This course is a supplement to the student's regular grade-level math course and is taken in place of an elective. Note: This course does not a mathematics course requirement for graduation.**

English Enrichment

Course Number: 2319

PEIMS #03221800

Credit: 1, Full Year

Prerequisite: None

In this course, students will read and write in multiple forms for a variety of audiences and purposes. Students are expected to plan, draft, and complete written compositions on a regular basis and carefully examine their papers for clarity, engaging language, and the correct use of the conventions and mechanics of written English. **Students who failed to meet standard on the previous year ELAR STAAR assessment, or who otherwise demonstrate need, will be placed in this academic support class. This course is a supplement to the student's regular grade-level English course and is taken in place of an elective.**

Career & Technical Education

Agriculture, Food & Natural Resources Cluster

Principles of Agriculture, Food, & Natural Resources

Course Number: 2144

PEIMS #13000200

Credit: 1, Full Year

Prerequisite: None

Principles of Agriculture, Food, and Natural Resources will allow students to develop knowledge and skills regarding career and educational opportunities, personal development, globalization, industry standards, details, practices, and expectations. To prepare for careers in agriculture, food, and natural resources, students must attain academic skills and knowledge in agriculture. To prepare for success, students need opportunities to learn, reinforce, experience, apply, and transfer their knowledge and skills in a variety of settings. Topics of study include: soil and plant systems; animal systems, including animal anatomy/physiology, as well as identifying and evaluating various breeds/classes of livestock (e.g., cattle, horses, chickens, etc.); basic power, structural, and technical system skills in agricultural applications; food products and processing systems; and the relationship between agriculture, food, and resources and the environment.

Floral Design

Course Number: 2145

PEIMS #13001800

Credit: 1, Full Year

Prerequisite: *None*

Floral Design is an exciting, interesting and challenging career opportunity. It is an art form that is becoming more important to the healthy lifestyle of many people. There are many jobs available in this industry for people who are willing to work hard and express their creative abilities through flowers and foliage plants. This course is designed to develop skills in the design and arrangement of flowers, foliage, and related plant materials for interior locations. Students will create floral arrangements. Topics of study include: floral design principles and techniques, including classifying and identifying flowers and plants; preparing floral designs for specific occasions (e.g. holidays, sympathy, wedding, etc.); and management factors of floral enterprises. **Note: There is a \$40 materials fee for this course. This course will satisfy the Fine Arts credit requirement.**

Industry Certification: *This course prepares students to take the Texas Floral Design Certification Level 1 examination.*

Advanced Floral Design

Course Number: 2146

PEIMS #N1300270

Credit: 1, Full Year

Prerequisite: *Floral Design; Instructor approval. May not be used as the final course in the endorsement.*

In this course, students are introduced to more advanced floral design concepts, with an emphasis on specialty designs and floral event planning. This course focuses on building skills in advanced floral design and providing students with a thorough understanding of the design elements and planning techniques used to produce unique specialty floral designs. Through the analysis and evaluation, the design needs and expectations of clients are explored and appropriate creations are proposed and evaluated. From conception to evaluation, students are challenged to create and design appropriate specialty floral designs that meet the needs of the client. Furthermore, an emphasis on budgetary adherence and entrepreneurship equips students with many of the necessary skills needed for success in floral enterprises. **Note: There is a \$40 materials fee for this course.**

Industry Certification: *This course prepares students to take the Texas Floral Design Certification Level 2 examination.*

Advanced Plant & Soil Science

Course Number: 2149

PEIMS #13002100

Credit: 1, Full Year

Prerequisites: *Biology, Integrated Physics and Chemistry, Chemistry, or Physics and a minimum of one credit from the courses in the Agriculture, Food, and Natural Resources Career Cluster are recommended.*

Advanced Plant and Soil Science provides a way of learning about the natural world. Students should know how plant and soil science has influenced a vast body of knowledge, that there are still applications to be discovered, and that plant and soil science is the basis for many other fields of science. To prepare for careers in plant and soil science,

students must attain academic skills and knowledge, acquire technical knowledge and skills related to plant and soil science and the workplace, and develop knowledge and skills regarding career opportunities, entry requirements, and industry expectations. To prepare for success, students need opportunities to learn, reinforce, apply, and transfer their knowledge and skills and technologies in a variety of settings. **Note: This course will count for an advanced science credit and counts for Career and Technical Education credit. This course is recommended for students with a Floral Design endorsement.**

Architecture and Construction Cluster

Construction Technology I

Course Number: 2139

PEIMS #13005100

Credit: 2, Full Year

Prerequisites: *None*

Students will gain knowledge and skills specific to those needed to enter the workforce in the areas of carpentry and construction. Students acquire knowledge and skills in safety, tool usage, building materials, codes, and framing. **Note: There is a \$40 materials fee for this course. This course is double-blocked.**

Construction Technology II

Course Number: 2135

PEIMS #13005200

Credit: 2, Full Year

Prerequisite: *Construction Technology I*

In Advanced Construction Technology, students gain advanced knowledge and skills specific to those needed to enter the work force as carpenters, building maintenance technicians, or supervisors or prepare for a postsecondary degree in construction management, architecture, or engineering. Students build on the knowledge base from Construction Technology and are introduced to exterior and interior finish out skills. To attain academic success, students must have opportunities to learn reinforce, apply and transfer their knowledge, skills and technologies in a variety of settings. **Note: There is a \$40 materials fee for this course. This satisfies the advanced course requirement for the Foundation endorsement in Architecture & Construction. This course is double-blocked.**

Industry Certification: *This course prepares students to take the Occupational Safety and Health Administration (OSHA) 10-Hour Course examination.*

Practicum in Construction Technology

Course Number: 2137

PEIMS # 13005250

Credit: 2, Full Year

Prerequisite: *Construction I and II; Instructor approval*

This program is designed for seniors desiring training for careers in the various industrial and industrial-related occupations by combining approved training experiences with related classroom studies. The practicum course is a paid or unpaid capstone experience for students participating in a coherent sequence of career and technical education courses in the manufacturing cluster. The program is designed to prepare students for employment upon graduation from high school and to provide the foundations and guidance to those students who desire

advanced training in industrial occupations beyond the secondary level. **Note: There is a \$40 materials fee for this course. This satisfies the advanced course requirement for the Foundation endorsement in Architecture & Construction. This course is double-blocked.**

Arts, AV Technology and Communications Cluster

Audio Video Production I

Course Number: 2127 PEIMS #13008500

Credit: 1, Full Year

Prerequisite: None

This introductory course will teach students the basics of photography, microphone and camera functions, video editing, media analysis, and filmmaking. Students will work in groups to write, shoot, and edit their own projects. Sample student projects during the year include the creation of short films, documentaries, commercials, song recreations, foley work, and photography and basic Photoshop techniques. Students will be expected to develop an understanding of the industry with a focus on pre-production, production, and post-production audio and video products.

Audio Video Production II

Course Number: 2128 PEIMS #13008600

Credit: 1, Full Year

Prerequisite: Audio Video Production I

This advanced course provides job-specific instruction for careers in the film and television industries. The course integrates advanced video and audio techniques with the art of computer graphics and electronic instrumentation. The focus of the course is on the creation of visual and special effects and green screen studio production. Students will further their knowledge of cinema history and analysis with discussions and selected film examples screened during the year. Sample projects include short films, commercials, production packages, audio synch, movie trailers, etc. **This satisfies the advanced course requirement for the Foundation endorsement in Audio/Video Production. This course is double-blocked with the Audio Video Production II Lab course. Students must enroll in both courses.**

Audio Video Production II with Lab

Course Number: 2125 PEIMS #13008610

Credit: 2, Full Year

Prerequisite: Audio Video Production I; Application and instructor approval. This course must be taken concurrently with Audio/Video Production II and may not be taken as a stand-alone course

Careers in audio and video technology and film production span all aspects of the audio/video communications industry. Building upon the concepts taught in Audio/Video Production, in addition to developing advanced knowledge and skills needed for success in the Arts, Audio/Video Technology, and Communications Career Cluster, students will be expected to develop an advanced understanding of the industry with a focus on pre-production, production, and post-production products. Students will exercise and develop creativity, intellectual curiosity, and critical-thinking, problem-solving, and collaborative skills. This course affords

necessary time devoted specifically to the production and post-production process. **This course must be taken concurrently with Audio/Video Production II and may not be taken as a stand-alone course.**

Practicum in Audio Video Production

Course Number: 2126

PEIMS #13008700

Credit: 2, Full Year

Prerequisite: Audio/Video Production II and Audio/Video Production II Lab; Application and instructor approval

This is a capstone experience for students participating in a coherent sequence of courses in Arts, A/V Technology and Communications. Practicum experiences are designed to give students supervised practical application appropriate to the level and nature of skills acquired in their chosen sequence. Students will be responsible for creating a business plan as well as producing a video project that will be evaluated for professional quality. **This satisfies the advanced course requirement for the Foundation endorsement in Audio/Video Production. This course is double-blocked.**

Professional Communications

Course Number: 2751

PEIMS #13008700

Credit: ½, Semester

Prerequisite: None

Professional Communications blends written, oral, and graphic communication in a career-based environment. Careers in the global economy require individuals to have a strong and solid academic foundation and a proficiency in professional oral and written communication. Students will be expected to develop and expand the ability to write, read, edit, speak, listen, and conduct Internet research. **This course will satisfy the Speech requirement.**

Business Management and Administration Cluster

Business Information Management I

Course Number: 2161

PEIMS #13011400

Credit: 1, Full Year

Prerequisite: None

Students in Business Information Management I get a head start on mastering the most popular business software suite-Microsoft Office. Students gain proficiency in Word, Excel, Power Point, and Access and learn important technology and business skills while utilizing creativity. This course also serves as a recommended prerequisite for many other courses in the Business Management, Marketing, and Finance programs of study.

Business Information Management II

Course Number: 2162

PEIMS #13011500

Credit: 1, Full Year

Prerequisite: Business Information Management I

Students in Business Information Management II will strengthen individual performance in work place, society, & business management skills. The world of business, as a future goal, is nurtured and all business and technical skills will be reinforced. Oral & written communication, teamwork, public relations, and leadership skills are emphasized through student's implementation of their own business projects. This course will prepare students for the MOS Certification exams in Word, Excel, and PowerPoint. **This**

satisfies the advanced course requirement for the Foundation endorsement in Business Information Management.

Industry Certification: This course prepares students to take the Microsoft Office Specialist (MOS) - Word, Excel & PowerPoint; Expert and Master examinations.

Finance Cluster

Money Matters

Course Number: 2175

PEIMS #13016200

Credit: 1, Full Year

Prerequisite: None

Students apply critical-thinking skills to analyze financial options based on current and projected economic factors. Students will gain knowledge and skills necessary to set long-term financial goals based on those options. Students will determine methods of achieving long-term financial goals through investment, tax planning, asset allocation, risk management, retirement planning, and estate planning. Course topics include: understanding interest; avoiding and eliminating credit card debt; understanding the rights and responsibilities of renting or buying property; starting a small business; investments and savings; consumer loans; insurance; completing the application for federal student aid provided by the USDE; and methods of paying for college. The course also focuses on the skills and strategies necessary for students to make a successful transition into high school and an academic career. Students will explore postsecondary options in order to establish both immediate and long-range personal goals.

Statistics and Business Decision Making

Course Number: 2176

PEIMS #13016900

Credit: 1, Full Year

Prerequisite: Algebra II

This course prepares students to take entry-level Statistics in college. Students should have a solid foundation in algebra prior to enrollment. This course will introduce students to four major conceptual themes: observing and exploring data; planning a statistically valid investigation; anticipating patterns and using probability and simulations for predicting outcomes; and confirming or rejecting models through statistical inference. Graphing calculators and computers are the primary tools for data analysis. **This course will satisfy graduation requirements under the Foundation graduation plan.**

Health Science Cluster

Principles of Health Science

Course Number: 2040

PEIMS #13020200

Credit: 1, Full Year

Prerequisite: None

In Principles of Health Science, students are exposed to the health care system by investigating the history of medicine, safety practices used by medical professionals, communication skills, ethics, and leadership skills, including the use of parliamentary procedure. Students learn about preventive medicine, as well as participating in career planning and developing life skills. Students also begin building their

foundation in medical terminology and basic anatomy. By studying the historical context from which current medical practice evolved, the students develop an appreciation and understanding of technical advances and the human dimension in the biomedical field. The students are taught to view the health care system as consumers as well as potential health care professionals.

Sports Medicine I

Course Number: 2041

PEIMS #N1150040

Credit: 1, Full Year

Prerequisite: None

Sports Medicine I is designed to prepare the student in the science of injury prevention, treatment, and rehabilitation, primarily as it relates to sports. Students will be provided with in-depth knowledge based on the concepts, skills, and techniques commonly used in athletic training. This course includes classroom and practical sessions. This class is highly recommended for anyone considering a career in the medical fields, particularly sports medicine and physical therapy. **This class does NOT count for Career & Technical Education credit.**

Sports Medicine II

Course Number: 2042

PEIMS #N1150041

Credit: 1, Full Year

Prerequisite: Sports Medicine I

Sports Medicine II is designed to continue student preparation in the science of injury prevention, treatment, and rehabilitation, primarily as it relates to sports. Students will be provided with in-depth knowledge based on the concepts, skills and techniques commonly used in Athletic Training. This course includes classroom and practical sessions. This class is highly recommended for anyone considering a career in the medical fields, particularly sports medicine and physical therapy. **This class does NOT count for Career & Technical Education credit.**

Anatomy and Physiology

Course Number: 2306

PEIMS #13020600

Credit: 1, Full Year

Prerequisite: Biology and a second science credit; This course satisfies a high school science graduation requirement

The Anatomy and Physiology course is designed for students to conduct laboratory and field investigations, use scientific methods during investigations, and make informed decisions using critical thinking and scientific problem solving. Students in Anatomy and Physiology will study a variety of topics, including the structure and function of the human body and the interaction of body systems for maintaining homeostasis. **Note: This course will count for an advanced science credit and counts for Career and Technical Education credit. This course is recommended for students with a Health Science endorsement.**

Medical Microbiology

Course Number: 2309

PEIMS #13020700

Credit: 1, Full Year

Prerequisite: *Biology and Chemistry. Recommended prerequisite: a course from the Health Science Career Cluster.*

Medical Microbiology is a course in which students conduct laboratory investigations to study the relationships of microorganisms to wellness and disease. Students will develop knowledge and skills related to disease prevention by learning the chain of infection, asepsis, and standard precautions. Pathogenic and nonpathogenic organisms will be identified to assist in the understanding of specific diseases, causative agents, and treatment options. **Note: This course will count for an advanced science credit and counts for Career and Technical Education credit. This course is recommended for students with a Health Science endorsement.**

Health Science Theory

Course Number: 2043

PEIMS #13020410

Credit: 1, Full Year

Prerequisite: *Biology; Acceptance into the EMT Program. Corequisite: Health Science Clinical.*

The Health Science Theory course is designed to provide for the development of advanced knowledge and skills related to health careers. Students will employ hands-on experiences for continued knowledge and skill development. Students will observe and assist professional health care personnel in clinical/hospital environments. The student must be CPR and First Aid certified, have a current TB skin test, current immunizations, and is strongly recommended to receive the influenza vaccination. Due to specific clinical/hospital requirements, student may be required to pass a criminal background check, drug screening, and/or verify personal health insurance coverage with insurer approved by the hospital/facility in order to participate in the course. Students will be notified at the beginning of the course if other facilities have additional requirements. A uniform, nametag, stethoscope, and professional medical liability insurance are required to be purchased.

Health Science Clinical (Internship Hours)

Course Number: 2043

PEIMS #13020410

Credit: 1, Full Year

Prerequisite: *Biology; Acceptance into the EMT Program. Corequisite: Health Science Theory*

This course must be taken concurrently with Health Science Theory and may not be taken as a stand-alone course. Students must attend their clinical internships on the days/hours designated by the site, which will occur outside of regular school hours. Students are required to complete 100% of the required clinical rotation hours.

In the Health Science Clinical, students will gain knowledge and skills related to patient assessment, spinal immobilization, trauma management, treatment of medical emergencies, and mechanical aids to breathing. Participation requires clinical internship hours of both hospital and ambulance experience. The student must be CPR and First Aid certified, have a current TB skin test, current immunizations, and is strongly recommended to receive the influenza vaccination. A uniform, nametag,

stethoscope, and professional medical liability insurance are required to be purchased.

Industry Certification: *The Health Science Theory & Health Science Clinical courses prepare students who complete all course requirements to take the National Registry of EMT's EMT-Basic certification examination. You must be at least 18 years of age and hold either a high school diploma or a GED to obtain certification by both National Registry and the Texas Department of State Health Services.*

Human Services Cluster

Health/Lifetime Nutrition & Wellness

Course Number: 2708

PEIMS #13024500

Credit: ½, Semester

Prerequisite: *None*

Health/Lifetime Nutrition & Wellness is a study of the care of the body and its systems, as well as the relationship of personal behavior to wellness. Topics covered are consumer health, nutrition, sex education for family living, use and abuse of tobacco, alcohol and drugs, and growth and development. Community health, environmental studies, disease, fitness, first aid, and safety are also studied. Students will also complete a required training in Cardiopulmonary Resuscitation (CPR). This course is noted on the transcript as Lifetime Nutrition and Wellness. **This course counts for Career and Technical Education credit.**

Interpersonal Studies

Course Number: 2709

PEIMS #13024400

Credit: ½, Semester

Prerequisite: *None*

In the Interpersonal Studies course, students will examine how the relationships between individuals and among family members significantly affect the quality of life. Students use knowledge and skills in family studies and human development to enhance personal development, foster quality relationships, promote wellness of family members, manage multiple adult roles, and pursue careers. An emphasis will be placed on factors related to personal development, the short- and long-term implications of personal decisions, and considerations related to the transition to independent adulthood.

Information Technology Cluster

Computer Programming I

Course Number: 2164

PEIMS #13027600

Credit: 1, Full Year

Prerequisite: *Algebra I recommended*

This class is designed to introduce students to the breadth of the field of computer science through an exploration of engaging and accessible topics. The course is designed to focus on the conceptual ideas of computing and help students understand why certain tools or languages might be utilized to solve particular problems. The goal is to develop in students the computational practices of algorithm development, problem solving and programming within the context of problems that are relevant to the lives of today's students. Students will also be introduced to topics such as interface design, limits of computers, and societal and ethical issues. Students will acquire knowledge of structured

programming techniques and concepts appropriate to developing executable programs and creating appropriate documentation. Even though the course does not focus on the development of math skills, a strong math background is a good predictor of success. **This course counts for Career and Technical Education credit Computer Programming I.**

Industry Certification: *This course prepares students to take the Microsoft Technology Associate (MTA) Introduction to Programming Using HTML and CSS examination.*

College Readiness Computer Programming II
Course Number: 2165 PEIMS #13027700
Credit: 1, Full Year

Prerequisite: Algebra I, completion of or concurrent enrollment in Geometry, and Computer Programming I recommended

This course is designed for those students who wish to prepare for AP Computer Science or prepare for entry to a computer science major at the college level. This is a beginner's course in Java programming, which is an object-oriented programming language that is becoming the standard in software development in programming for the web. A large part of the course is built around the development of computer programs that correctly solve a given problem. The course also emphasizes the design issues that make programs understandable, adaptable, and when appropriate, reusable. Through the development of program, fundamentals computer science concepts are covered. Students will learn how to dissect complex problems into manageable parts and implement solutions using a variety of tools. Students will be introduced to a variety of concepts and by learning the science of designing computer programs using an object-oriented style. The course will develop these skills using Java as a means for learning programming. Even though the course does not focus on the development of math skills, a strong math background is a good predictor of success. This course is noted on the transcript as Computer Programming II. **This course counts for Career and Technical Education credit Computer Programming II.**

Industry Certification: *This course prepares students to take the Microsoft Technology Associate (MTA) Introduction to Programming Using Java and Microsoft Technology Associate (MTA) Software Development Fundamentals examinations.*

Robotics I
Course Number: 2169 PEIMS #13037000
Credit: 1, Full Year

Prerequisite: Algebra I, Algebra II, and Computer Programming I recommended

In Robotics I, students will transfer academic skills to component designs in a project-based environment through implementation of the design process. Students will build prototypes or use simulation software to test their designs. Additionally, students will explore career opportunities, employer expectations, and educational needs in the robotic and automation industry.

Robotics II
Course Number: 2170 PEIMS #13037050
Credit: 1, Full Year

Prerequisite: Robotics I required; Algebra I, Algebra II, and Computer Programming I recommended

In Robotics II, students will explore artificial intelligence and programming in the robotic and automation industry. Through implementation of the design process, students will transfer academic skills to component designs in a project-based environment. Students will build prototypes and use software to test their designs.

AP Computer Science A
Course Number: 2168 PEIMS #A3580100
Credit: 1, Full Year

Prerequisite: Algebra I & Computer Programming I; Algebra II is recommended

This college-level course prepares students to take the AP Computer Science exam for possible college credit. This course can also count as a 4-year mathematics credit. AP Computer Science A is designed for students who are preparing for the Advanced Placement examination. Topics include advanced data structures, introduction to computer architecture, extensive programming in Java, and development of a professional quality and extensive programming project. This course is designed for students who are interested in majoring in Computer Science, Science, Management Information System, or Engineering. Students are required to take the Advanced Placement Computer Science Exam at the conclusion of the course. **Students must take the corresponding Advanced Placement (AP) examination in order to receive the 1.25 GPA multiplier. This course will satisfy graduation requirements for mathematics under the Foundation graduation plan. This course counts for Technology Applications credit. This class does NOT count for Career & Technical Education credit.**

Manufacturing Cluster

Introduction to Welding
Course Number: 2138 PEIMS #13032250
Credit: 2, Full Year

Recommended prerequisite or corequisite: Algebra I

Introduction to Welding will provide an introduction to welding technology with an emphasis on basic welding laboratory principles and operating procedures. Students will be introduced to the three basic welding processes. Topics include: industrial safety and health practices, hand tool and power machine use, measurement, laboratory operating procedures, welding power sources, welding career potentials, and introduction to welding codes and standards. Introduction to Welding will provide students with the knowledge, skills, and technologies required for employment in welding industries. Students will develop knowledge and skills related to welding and apply them to personal career development. This course supports integration of academic and technical knowledge and skills. Students will reinforce, apply, and transfer knowledge and skills to a variety of settings and problems. Knowledge about career opportunities, requirements, and expectations and the development of workplace skills will prepare students for future success.

Welding I

Course Number: 2136

PEIMS #13032300

Credit: 2, Full Year

Prerequisite: *Algebra I recommended*

Welding provides the knowledge, skills, and technologies required for employment opportunities in metal technology systems. The areas of oxy-fuel processes, plasma arc cutting, arc welding, mig welding, and tig welding will be covered. Knowledge about career opportunities, requirements, and expectations and the development of workplace skills prepare students for success. **Note: There is a \$40 materials fee for this course. This course is double-blocked.**

Welding II

Course Number: 2158

PEIMS #13032400

Credit: 2, Full Year

Prerequisite: *Welding I; Algebra I or Geometry recommended*

This course is a project-based research course for students who wish to develop advanced welding skills. **This availability of this course is not guaranteed for students who are not completing a previously declared endorsement in Welding.** Study includes shielded metal arc welding, gas metal arc welding, advanced flux cored arc welding, and gas tungsten arc welding. Students use knowledge of welding blueprints to complete an advanced project and work independently to fabricate a welded project. Knowledge about career opportunities, requirements, and expectations and the development of workplace skills prepare students for success. To attain academic success, students must have opportunities to learn reinforce, apply and transfer their knowledge, skills and technologies in a variety of settings. **Note: There is a \$40 materials fee for this course. This course is double-blocked.**

Industry Certification: *This course prepares students to take the American Welding Society (AWS) Schools Excelling through National Skills Education (SENSE) examination and the Occupational Safety and Health Administration (OSHA) 10-Hour Course examination.*

Marketing Cluster

Advertising

Course Number: 2124

PEIMS #13034200

Credit: ½, Semester

Prerequisite: *None*

Advertising and Sales Promotion is designed as a comprehensive introduction to the principles and practices of advertising. Students will gain knowledge of techniques used in current advertising. Students will create advertising using print, broadcast, and digital media. The course explores the social, ethical and legal issues of advertising, historical influences, strategies, and media decision processes as well as integrated marketing communications. The course provides an overview of how communication tools can be used to reach target audiences and increase consumer knowledge.

Entrepreneurship

Course Number: 2129

PEIMS #13034400

Credit: 1, Full Year

Prerequisite: *None*

Students will gain the knowledge and skills needed to become an entrepreneur. Students will learn the principles necessary to begin and operate a business. The primary focus of the course is to help students understand the process of analyzing a business opportunity, preparing a business plan, determining feasibility of an idea using research, and developing a plan to organize and promote the business and its products and services. In addition, students understand the capital required, the return on investment desired, and the potential for profit. **This satisfies the advanced course requirement for the Foundation endorsement in Business Leadership.**

Social Media Marketing

Course Number: 2123

PEIMS #13034650

Credit: ½, Semester

Prerequisite: *Advertising recommended*

Social Media Marketing is designed to look at the rise of social media and how marketers are integrating social media tools in their overall marketing strategy. The course will investigate how the marketing community measures success in the new world of social media. Students will manage a successful social media presence for an organization, understand techniques for gaining customer and consumer buy-in to achieve marketing goals, and properly select social media platforms to engage consumers and monitor and measure the results of these efforts.

STEM Cluster

Scientific Research and Design: Environmental Science

Course Number: 2311

PEIMS #13037200

Credit: 1, Full Year

Prerequisite: *Biology, Chemistry, IPC, or Physics required; Completion of three science courses recommended*

Scientific Research and Design: Environmental Science is an advanced science course for motivated, creative, and inquisitive science students where they will experience science through original research. In this course, students conduct laboratory and field investigations, use scientific methods during investigations, and make informed decisions using critical thinking and scientific problem solving. Students study a variety of topics that include: biotic and abiotic factors in habitats, ecosystems and biomes, interrelationships among resources and an environmental system, sources and flow of energy through an environmental system, relationship between carrying capacity and changes in populations and ecosystems, and changes in environments. **Note: This course counts for Career and Technical Education credit.**

Appendix A

Explanation of Eligibility for Automatic College Admission

Automatic Admission Requirements

In accordance with Texas Education Code (TEC), §51.803, a student is eligible for automatic admission to a Texas public college or university as an undergraduate student if the student earned a grade point average in the top 10 percent of the student's high school graduating class or in the percentage of qualified applicants that are anticipated to be offered admission to the University of Texas at Austin*, and the applicant

1. Successfully completed the requirements for the Recommended High School Program (RHSP) or the Distinguished Achievement Program (DAP);
2. Earned the distinguished level of achievement under the Foundation High School Program; or
3. Satisfied ACT's College Readiness Benchmarks on the ACT assessment or earned on the SAT assessment a score of at least 1,500 out of 2,400 or the equivalent.

High school rank for students seeking automatic admission to a general academic teaching institution is determined and reported as follows.

1. Class rank must be based on the student's rank at the end of the 11th grade, middle of the 12th grade, or at high school graduation, whichever is most recent at the application deadline.
2. The top 10 percent of a high school class cannot contain more than 10 percent of the total class size.
3. The student's rank must be reported by the student's high school or school district as a specific number out of a specific number total class size.
4. Class rank shall be determined by the school or school district from which the student graduated or is expected to graduate.

A student is considered to have satisfied the course requirements of the RHSP, DAP, or the distinguished level of achievement under the Foundation High School Program if the student completed the portion of those programs that was available to the student but which the student was unable to complete because the courses were unavailable as a result of circumstances not within the student's control. To qualify for automatic admission an applicant must

1. Submit an application before the deadline established by the Texas college or university to which the student seeks admission; and
2. Provide a high school transcript or diploma that indicates whether the student has satisfied or is on schedule to satisfy the requirements of the RHSP, DAP, or the distinguished level of achievement under the Foundation High School Program or the portion of the requirements of those programs that was available to the student. Texas colleges and universities are required to admit an applicant for admission as an undergraduate student if the applicant is the child of a public servant who was killed or sustained a fatal injury in the line of duty and meets the minimum requirements, if any, established by the governing board of the college or university for high school or prior college- level grade point average and performance on standardized tests.

** The University of Texas at Austin (UT) is not required to automatically admit applicants in excess of 75% of its enrollment capacity for first-time resident undergraduate students. Should the number of applicants who qualify for automatic admission exceed 75% of enrollment capacity, UT must provide notice of the percentage of qualified applicants that are anticipated to be offered admission.*

State Financial Aid Programs with Curriculum Requirements

Under TEC, Title 3, there are several state financial aid programs available for Texas public high school students. The following state financial aid programs include certain curriculum requirements to be considered when planning a student's high school career to ensure eligibility for financial aid under one of these programs. Please note that this is not a complete list of requirements and additional eligibility requirements apply. A full list of requirements is available through the Texas Higher Education Coordinating Board's financial aid webpage at <http://www.collegeforalltexans.com/apps/financialaid/tofa2.cfm?ID=458>.

Individuals interested in the following financial aid opportunities are strongly encouraged to check the status of each grant program for the anticipated year(s) of enrollment in an institution of higher education at <http://www.collegeforalltexans.com/apps/financialaid/tofa2.cfm?ID=458>.

Texas B-On-Time (BOT):

Applicants must meet one of the following academic requirements:

- a. Graduated in the 2002–2003 academic year or later under the RHSP or DAP, or its equivalent
- b. Earned an associate's degree from an eligible institution no earlier than May 1, 2005

Top Ten Percent Scholarship

To receive an initial award through the Top 10 Percent Scholarship Program, a student must have graduated while ranked in the top 10 percent of his or her graduating class and completed the RHSP or DAP curriculum or earned the distinguished level of achievement on the Foundation High School Program (or the equivalent) at an accredited public high school in Texas, or the equivalent at an accredited private high school in Texas.

TEXAS Grant**Basic Initial Year (IY) Student Eligibility Curriculum Requirements**

A student must complete the Foundation High School Program, RHSP, or DAP (or the equivalent).

Priority Model Initial Year (IY) Student Curriculum Eligibility Requirements

In addition to the basic initial year (IY) student eligibility requirements, to receive priority consideration for an IY award through the TEXAS Grant Program, a student must meet at least one requirement in at least two of the four following areas:

Advanced Academic Program:

Earn 12 hours of college credit (dual credit or AP courses), complete the Distinguished Achievement Program (DAP), or complete the International Baccalaureate (IB) Program

TSI Readiness:

Meet the Texas Success Initiatives (TSI) assessment thresholds or qualify for an exemption

Class Standing:

Graduate in the top one-third of the HS graduating class or have a B average

Advanced Math:

Complete at least one math course beyond Algebra II as determined by the Texas Education Agency (TEA) or complete at least one advanced career and technical course, as determined by TEA

A full list of TEXAS Grant eligibility requirements is provided at <http://www.collegeforalltexas.com/apps/financialaid/tofa2.cfm?ID=458>.



Lago Vista ISD Four-Year Planning Form - FHSP and FHSP w/Endorsement

Last Name: <i>(Please print.)</i>	First Name: <i>(Please print.)</i>	Endorsement: <i>(Check all that apply.)</i> <input type="checkbox"/> Advanced Mathematics – STEM <input type="checkbox"/> Advanced Science – STEM <input type="checkbox"/> Audio/Video Production – Business & Industry <input type="checkbox"/> Architecture & Construction – Business & Industry <input type="checkbox"/> Business Leadership – Business & Industry <input type="checkbox"/> Business Information Management – Business & Industry <input type="checkbox"/> Computer Information Technology – Business & Industry <input type="checkbox"/> Computer Information Technology – STEM <input type="checkbox"/> Health Science: EMT – Public Service <input type="checkbox"/> Health Science – Public Service <input type="checkbox"/> Health Science – STEM <input type="checkbox"/> Fine Arts – Arts & Humanities <input type="checkbox"/> Floral Design – Business & Industry <input type="checkbox"/> Journalism – Business & Industry <input type="checkbox"/> Spanish – Arts & Humanities <input type="checkbox"/> Speech Communications – Business & Industry
Student ID:	Phone:	
Email:	Graduation Plan Type: <i>(Check one.)</i> <input type="checkbox"/> Foundation Only - Only after sophomore year, Opt-out agreement required. <input type="checkbox"/> Foundation + Endorsement <input type="checkbox"/> Distinguished Achievement - Must take Algebra II; Required for Top 10% Automatic Admissions.	
Expected Graduation Year:	Grade THIS year: <i>(Check one.)</i> <input type="checkbox"/> 9 <input type="checkbox"/> 10 <input type="checkbox"/> 11 <input type="checkbox"/> 12	

Credit Requirements for FHSP + Endorsement and Distinguished Achievement Plans

Math - 4.0 credits *(Including Algebra II)*
 Science - 4.0 credits
 English - 4.0 credits
 Social Studies - 3.0 credits
 Speech/Prof. Comm. - .5 credit
 Health/Nutrition - .5 credit
 Fine Arts - 1.0 credit
 Physical Education - 1.0 credit
 LOTE - 2.0 credits
 Endorsement Coherent Sequence Electives

Lago Vista ISD Requires 28 Credits to Graduate

	9 th	10 th	11 th	12 th
1	Math:	Math:	Math:	Math:
2	Biology	Science:	Science:	Science:
3	English:	English:	English:	English:
4	Money Matters	World History	US History	Government (.5) Economics (.5)
5	Prof. Comm. (.5) Health/Nutrition (.5)			
6				
7				
8				

Performance Acknowledgment Planning

<input type="checkbox"/> Dual Credit <ul style="list-style-type: none"> • 12 hours/3.0 (un-weighted) 	<input type="checkbox"/> Bilingualism/Biliteracy <ul style="list-style-type: none"> • 3 credits at 80%; or • Level IV at 80%; or • 3 or Higher on AP LOTE exam 	<input type="checkbox"/> Advanced Placement <ul style="list-style-type: none"> • 3 or Higher on an AP exam
<input type="checkbox"/> College Preparation <ul style="list-style-type: none"> • PSAT/NMSQT Commended Scholar; or • College Readiness on 2 ACT Aspire Subject Tests; or • 410 Reading & 520 Math on SAT; or • ACT composite score of 28 	<input type="checkbox"/> Business and Industry <ul style="list-style-type: none"> • Earn business or industry certification 	

Appendix C
Lago Vista ISD
Foundation Plus Endorsement Graduation Checklist

Key: ✓ = Completed E = Enrolled N = Needs

English – 4.0 Credits

English I	_____	_____
English II	_____	_____
English III	_____	_____
Advanced English*	_____	_____

** Advanced English Options: English IV; Independent Study in English; Literary Genres; Creative Writing; Research and Technical Writing; Humanities; Public Speaking III; Communication Applications, which must be combined with another half credit from the other courses listed in subparagraphs (A)-(G) and (I)-(S) of Chapter 74 Subsection B; Oral Interpretation III; Debate III; Independent Study in Speech; Independent Study in Journalism; Advanced Broadcast Journalism III; Advanced Journalism: Newspaper III; Advanced Journalism: Yearbook III; an AP or IB English language arts course in accordance with §74.11(h) of this title (relating to High School Graduation Requirements); after the successful completion of English I, II, and III, a locally developed English language arts needed to obtain an industry-recognized credential or certificate that is developed pursuant to the Texas Education Code (TEC), §28.002(g-1); Business English; and a college preparatory English language arts pursuant to the TEC, §28.014.*

Math – 4.0 Credits

Algebra I	_____	_____
Geometry	_____	_____
Additional Math* or Advanced Math**	_____	_____
Advanced Math**	_____	_____

**Additional Math Options: Math Models; Mathematical Applications in AFNR; Digital Electronics; Robotics Programming and Design; Financial Mathematics; Applied Mathematics for Technical Professionals; Accounting II; Manufacturing Engineering Technology II; and Robotics II.*

***Advanced Math Options: Algebra II; Precalculus; Advanced Quantitative Reasoning; Independent Study in Mathematics; Discrete Mathematics for Problem Solving; Algebraic Reasoning; Statistics; an AP or IB mathematics course in accordance with §74.11(h); AP Computer Science A; Engineering Mathematics; Statistics and Business Decision Making; Mathematics for Medical Professionals; Discrete Mathematics for Computer Science; pursuant to the TEC, §28.025(b-5), after the successful completion of Algebra II, a mathematics course endorsed by an IHE as a course for which the institution would award course credit or as a prerequisite for a course for which the institution would award course credit; and after the successful completion of Algebra I and Geometry, a locally developed mathematics course needed to obtain an industry-recognized credential or certificate that is developed pursuant to the TEC, §28.002(g-1).*

Science – 4.0 Credits

Biology	_____	_____
Additional Science*	_____	_____
Advanced Science**	_____	_____
Advanced Science**	_____	_____

**Additional Science Options: IPC; Chemistry; Physics; Principles of Technology; and an AP/IB science course in accordance with §74.11(h).*

***Advanced Science Options: Chemistry; Physics; Aquatic Science; Astronomy; Earth and Space Science; Environmental Systems; an AP or IB science course in accordance with §74.11(h); Advanced Animal Science; Advanced Plant and Soil Science; Anatomy and Physiology; Medical Microbiology; Pathophysiology; Food Science; Forensic Science; Biotechnology I; Biotechnology II; Principles of Technology; Scientific Research and Design; Engineering Design and Problem Solving; Engineering Science; pursuant to the TEC, §28.025(b-5), after the successful completion of physics, a science course endorsed by an IHE as a course for which the institution would award course credit or as a prerequisite for a course for which the institution would award course credit; and a locally developed science course needed to obtain an industry-recognized credential or certificate that is developed pursuant to the TEC, §28.002(g-1).*

Note: Combination of Physics and Principles of Technology is NOT allowable.

Social Studies – 3.0 Credits

World Geo. or World His.	_____	_____
US History	_____	_____
Government (.5)	_____	_____
Economics (.5)	_____	_____

Physical Education – 1.0 Credit

PE	_____	_____
----	-------	-------

Language Other Than English (LOTE) – 2.0 Credits

LOTE I	_____	_____
LOTE II	_____	_____

Note: Credits earned in Computer Science I, II, and III may be used to satisfy this requirement. Computer Programming does NOT satisfy this requirement.

Fine Arts – 1.0 Credit

Fine Art I	_____	_____
------------	-------	-------

EOC	
Algebra I	_____
Biology I	_____
English I	_____
English II	_____
US History	_____

Endorsement	
STEM	_____
Business & Industry	_____
Public Services	_____
Arts & Humanities	_____
Multidisciplinary	_____

Performance Acknowledgments	
Dual Credit	_____
• 12 hours/3.0	
Bilingualism/ Biliiteracy	_____
• 3 credits at 80%; or	
• Level IV at 80%; or	
• 3 or Higher on AP	
Advanced Placement	_____
• 3 or Higher on AP exam	
College Readiness	_____
• PSAT/NMSQT Commended Scholar; or	
• College Readiness on 2 ACT Plan Subject Tests; or	
• SAT score of 1250 on Reading/Math; or	
• ACT composite score of 28	

Endorsement (Select All that Apply)

STEM (Algebra II, Chemistry, and Physics REQUIRED)

- Coherent sequence of four CTE credits (two in the same cluster; at least one advanced). Final course in the sequence must be in the STEM cluster. _____
- Coherent sequence of four Computer Science Tech Apps credits from those listed in §74.13(f)(1)(B). _____
- Three Math credits (Algebra II plus two additional courses for which Algebra II is a prerequisite). _____
- Four Science credits (Chemistry, Physics plus two additional courses from those listed in §74.13(e)(5)). _____
- Combination credits (Algebra II, Chemistry, Physics, plus three additional credits from no more than 2 disciplines in §74.13(f)(1)(A-D). _____

Business & Industry

- Coherent sequence of four CTE credits (two in the same cluster; at least one advanced). Final course in the sequence must be in one of the following CTE clusters: _____
-Agriculture, Food, & Natural Resources; Architecture & Construction; Arts, Audio/Visual Technology, & Communications; Business Management & Administration; Finance; Hospitality & Tourism; Information Technology; Manufacturing; Marketing; or Transportation, Distribution, & Logistics.
- Four English elective credits to include three levels in one of the following areas: _____
-Public Speaking; Debate; Advanced Broadcast Journalism; Newspaper; Yearbook.
- Four Technology Applications credits from those listed in §74.13(f)(2)(C). _____
- Combination credits (Four credits from those listed in §74.13(f)(2)(A-C). _____

Public Services

- Coherent Sequence of four CTE credits (two in the same cluster; at least one advanced). Final course in the sequence must be in one of the following CTE clusters: _____
-Education & Training; Government & Public Administration; Health Science; Human Services; or Law, Public Safety, Corrections, & Securities.
- Four courses in Junior Reserve Officer Training Corps (JROTC). _____

Arts & Humanities

- Five Social Studies credits. _____
- Four levels of LOTE courses in the same language. _____
- Two levels of LOTE credit in one language and two levels of LOTE credit in a second language;
- Four levels of American Sign Language. _____
- Coherent sequence of four courses from one or two categories or disciplines in the fine arts (Art, Dance, Music, and/or Theatre). _____
- Four English Elective credits from those listed in §74.13(f)(4)(F). _____

Note: With parent permission, a student pursuing the Arts & Humanities endorsement may substitute an ELA, Social Studies, LOTE, or Fine Arts course to fulfill the fourth credit in Science requirement.

Multidisciplinary Studies

- Four advanced courses within one endorsement area or among endorsement areas that are not in a coherent sequence. _____
- Four credits in each of the four Foundation subjects with English IV and Chemistry and/or Physics. _____
- Four AP, IB courses, or dual credit courses to include one in each of the four Foundation subject areas.

Total Credits: _____

Foundation Plus Endorsement requires 26 credits. Lago Vista ISD requires 28 credits to graduate. Only 2 local credits may count towards graduation, unless recommended by ARD.

Appendix D
Lago Vista ISD
Foundation Only Graduation Checklist

Key: ☑ = Completed E = Enrolled N = Needs

English – 4.0 Credits

English I	_____	_____
English II	_____	_____
English III	_____	_____
Advanced English*	_____	_____

EOC	
Algebra I	_____
Biology I	_____
English I	_____
English II	_____
US History	_____

** Advanced English Options: English IV; Independent Study in English; Literary Genres; Creative Writing; Research and Technical Writing; Humanities; Public Speaking III; Communication Applications, which must be combined with another half credit from the other courses listed in subparagraphs (A)-(G) and (I)-(S) of Chapter 74 Subsection B; Oral Interpretation III; Debate III; Independent Study in Speech; Independent Study in Journalism; Advanced Broadcast Journalism III; Advanced Journalism: Newspaper III; Advanced Journalism: Yearbook III; an Advanced Placement (AP) or International Baccalaureate (IB) English language arts course in accordance with §74.11(h) of this title (relating to High School Graduation Requirements); after the successful completion of English I, II, and III, a locally developed English language arts needed to obtain an industry-recognized credential or certificate that is developed pursuant to the Texas Education Code (TEC), §28.002(g-1); Business English; and a college preparatory English language arts course that is developed pursuant to the TEC, §28.014.*

Math – 3.0 Credits

Algebra I	_____	_____
Geometry	_____	_____
Additional Math* or Advanced Math**	_____	_____

**Additional Math Options: Math Models, Math Application in Ag, Digital Electronics, Robotics Programming & Design.*

***Advanced Math Options: Algebra II, Precalculus, AQR, Independent Study in Math, Discrete Math for Problem Solving, Algebraic Reasoning, Statistics, AP Statistics, AP Calculus AB, AP Calculus BC, AP Computer Science, Engineering Mathematics, Statistics & Risk Management, Discrete Mathematics for Computer Science; (after Algebra II) a math course listed by TEA and endorsed by an IHE for credit or as a prerequisite for credit; or (After Algebra I & Geometry) a locally developed Math course or activity, including apprenticeship or training hours to obtain an industry-recognized credential/certificate pursuant to TEC §28.002.*

Science – 3.0 Credits

Biology	_____	_____
Additional Science*	_____	_____
Advanced Science**	_____	_____

**Additional Science Options: IPC; Chemistry; Physics; Principles of Technology; and an AP/IB science course in accordance with §74.11(h).*

***Advanced Science Options: Chemistry; Physics; Aquatic Science; Astronomy; Earth and Space Science; Environmental Systems; an AP or IB science course in accordance with §74.11(h); Advanced Animal Science; Advanced Plant and Soil Science; Anatomy and Physiology; Medical Microbiology; Pathophysiology; Food Science; Forensic Science; Biotechnology I; Biotechnology II; Principles of Technology; Scientific Research and Design; Engineering Design and Problem Solving; Engineering Science; pursuant to the TEC, §28.025(b-5), after the successful completion of physics, a science course endorsed by an IHE as a course for which the institution would award course credit or as a prerequisite for a course for which the institution would award course credit; and a locally developed science course needed to obtain an industry-recognized credential or certificate that is developed pursuant to the TEC, §28.002(g-1).*

Note: Combination of Physics and Principles of Technology is NOT allowable.

Social Studies – 3.0 Credits

World Geo. or World His.	_____	_____
US History	_____	_____
Government (.5)	_____	_____
Economics (.5)	_____	_____

Physical Education – 1.0 Credit

PE	_____	_____
----	-------	-------

Language Other Than English (LOTE) – 2.0 Credits

LOTE I	_____	_____
LOTE II	_____	_____

Note: Credits earned in Computer Science I, II, and III may be used to satisfy this requirement. Computer Programming does NOT satisfy this requirement.

Fine Arts – 1.0 Credit

Fine Art I	_____	_____
------------	-------	-------

Total Credits: _____

Foundation Only requires 22 credits. Lago Vista ISD requires 28 credits to graduate. Only 6 local credits may count towards graduation, unless recommended by ARD.

Appendix E

Lago Vista ISD Senior Early Release Information & Application

All students are expected to attend school for the entire school day and maintain a class/course schedule to fulfill each period of the day. Exceptions may be made occasionally by the campus principal for students in grade 12 who meet the following specific criteria and receive parental consent to enroll in less than a full-day's schedule.

Conditions for Approval of Early Release

Early release may be granted to a student under the following conditions:

- Student must have senior status (at least 21 credits) and be a fourth year student.
- Student must be completing coursework for the state Distinguished, Recommended, or Foundation Plus Endorsement Distinguished Achievement Graduation Plans.
- Student must be enrolled in courses that complete his or her graduation requirements at the end of the senior year.
- Student must have met the passing standard on all sections of the EOC STAAR examinations.
- Student must have met the 90% attendance requirement for each course during the junior year.
- Students must have earned a grade of C or higher in all classes during the junior year.
- Course changes will not be permitted simply to accommodate an early release request.
- Student must be signed up for a minimum of seven credits to qualify for the privilege.
- Early release will only be considered for the last period of the day.
- Students must apply each semester for early release.
- It is the student/parent's responsibility to contact any appropriate college/university's admissions office to determine that this request will not affect the student's admission.

Qualifying Circumstances for Early Release

Early release for seniors will only be granted in the following qualifying circumstances:

- **Dual or Concurrent Enrollment:** Student has verified enrollment in a college course during the off period. Only articulated courses may be used for high school credit. Also, as college courses are based on semesters, each college level class taken grants release time for 1 semester. Therefore, a student must take 2 or more college classes during their senior year to have release time for their entire senior year.
- **TxVSN Enrollment:** Student has verified enrollment in an online TxVSN course during the off period. As TxVSN courses are based on semesters, each course taken grants release time for 1 semester. Therefore, a student must take 2 or more TxVSN classes during their senior year to have release time for their entire senior year.
- **Employment, Internship, or Job Shadow Participation:** Student has documentation from a local business/corporation verifying that he/she is gainfully employed or will participate in an internship or job shadowing program and will be scheduled to be present during the off period. Student must submit a copy of his/her internship schedule signed by the internship supervisor to the office each semester.

Note: Students will not earn credit if granted early release for the purpose of employment. Credit for employment will only be granted to a student who is enrolled the Career Preparation (Co-op) Program. Students enrolled in a career preparation program may have a one-period early release to go to work that earns the student credit towards graduation.

Additional Provisions

For seniors with an approved early release, the following conditions apply:

- Student must have transportation to leave campus EACH DAY.
- Student must leave campus IMMEDIATELY following his/her last scheduled class. There may be no loitering or congregating in the student parking lot or other locations on the school grounds.
- The early release privilege will be revoked for the remainder of the semester for any of the following reasons:
 - The student is late to school more than five times in a semester.
 - The student is absent more than five times in a semester and/or falls below the 90% attendance rule in any class.
 - The student receives a failing grade on a progress report.
 - A student receives an out-of-school suspension or two major disciplinary infractions.
- Any student who loses his or her privilege due to disciplinary infractions during the first semester will be ineligible for early release during the second semester.

Print Student Name _____ ID# _____

Lago Vista ISD Senior Early Release Application

Student Information

Full Name: _____ Phone: _____

Street Address: _____

City, State: _____ Zip Code: _____

Parent Name: _____ Phone: _____
(Student's Initials)

- _____ 1. I have at least 21 credits and am a fourth year student.
- _____ 2. I am on the Foundation Plus Endorsements Distinguished Achievement Graduation Plan.
- _____ 3. I am enrolled in courses that complete my graduation requirements at the end of my senior year.
- _____ 4. I have met the passing standard on all sections of the EOC/STAAR.
- _____ 5. I met the 90% attendance requirement for each course during my junior year.
- _____ 6. I earned a grade of C or higher in all classes during my junior year.
- _____ 7. I understand it is my responsibility to contact any appropriate college/university's admissions office to determine if this request will affect my admission.
- _____ 8. I am applying for early release for the following qualifying circumstance:
 - Dual or Concurrent Enrollment
 - TxVSN Enrollment
 - Employment, Internship, or Job Shadow Participation

Dual/Concurrent/TxVSN Enrollment Information Not Applicable

Name of College/University/School: _____ Location: _____

Class Enrolled: _____ Semester: Fall or Spring

Professor/Instructor: _____

A copy of the official schedule must be submitted to the front office. Students must apply each semester for early release.

Employment, Internship, or Job Shadow Information Not Applicable

Name of Business: _____ Phone: _____

Name of Supervisor: _____ Email: _____

Address: _____

City, State: _____ Zip Code: _____

Student must submit a copy of his/her job or internship schedule signed by the internship supervisor to the office each semester. Students must apply each semester for early release.

Student Agreement

I agree to the terms and conditions required for early release. I agree to submit all of the required paperwork and to make all of the necessary appointments and adjustments with the guidance office if I no longer meet these requirements.

Please list the class to be removed from your schedule: _____

 Student Signature Date

Parent Agreement

I grant permission for my son/daughter to be released from school early. I verify that he/she meets one of the qualifying conditions. I agree to the terms and conditions required for early release.

 Parent Signature Date

OFFICE USE ONLY Principal Approval <input type="checkbox"/> Yes <input type="checkbox"/> No Signature: _____ Date: _____
--



Lago Vista ISD UIL Eligibility Waiver Form

Lago Vista ISD values academic rigor and relevance in student course work and upholds higher standards than the UIL in regards to grade exemptions in Honors and Advanced level course work. Students may be granted a waiver if they fail an advanced academic (College Readiness, AP, OnRamps, or Dual Credit) course with a grade of 60-69 percent. **Students will only be eligible for one waiver for per course per academic year.** All UIL Eligibility Waivers require administrator approval, a parent signature, and approval of the coach/sponsor.

Student Name: _____

Grade Level: _____

I am choosing to use my UIL eligibility waiver for the _____ school year for the College Readiness/AP/OnRamps/Dual Credit course:

Name of Course

Grade in Course (60 – 69)

Student Signature

Date

Parent Signature

Date

Coach/Sponsor Signature

Date

Once all signatures have been obtained, return this form to your Assistant Principal's office. The office will keep this form on file for the remainder of the school year.

Advanced Class UIL Eligibility Waivers

Students will only be eligible for one waiver per course per academic year.

University Interscholastic League (UIL) Eligibility

Refer to UIL website <http://www.uil-texas.org/files/tea-uil-side-by-side.pdf>

1. A student who receives, at the end of any grading period (after the first six weeks of the school year), a grade below 70 in any academic class (other than an identified advanced class) or a student with disabilities who fails to meet the standards in the Individual Education Plan (IEP) may not participate in extracurricular activities for at least three school weeks. An ineligible student may practice or rehearse, however. The student regains eligibility when the principal and teachers determine that he/she has: (1) earned a passing grade (70 or above) in all academic classes, other than those that are advanced, and (2) completed the three school weeks of ineligibility.
2. All schools must check grades for all participants at the end of the first six weeks of the school year. From that point, grades are checked at the end of each nine-week grading period. Students who pass remain eligible until the end of the next grading period.
3. All activity coaches and directors are responsible for obtaining official grade reports from the individual the principal designates as the keeper of official grades before the student represents the school. This provision applies to all grading periods. It also applies to all three-school week evaluation periods for ineligible students.

Appendix G

Lago Vista ISD Advanced Academic Course Student Agreement

Lago Vista ISD recognizes the value of advanced academic coursework and encourages all students to graduate high school with at least one advanced academic course, such as College Readiness, Advanced Placement, OnRamps, or Dual Credit. Students will develop the skills, habit of mind, and concepts needed to succeed in college. Depth of material often requires students to read and write extensively in and out of class. These demanding classes require more effort, time & skills than regular level classes and are recommended for highly motivated students. Lago Vista ISD encourages all student to access advanced coursework. However, we also want all parents and students to completely understand the rigor of these classes and the commitment required by students taking advanced academic courses. For this reason, we require that a student wishing to take an advanced academic course and his/her parent(s)/ guardian(s) read and sign this agreement.

Completion & Submission of Summer Assignment(s)

In order to address the skills and expectations that comprise advanced coursework and assessments, many advanced academics courses include required summer reading and writing assignments to allow for the breadth and depth of content needed to appropriately address requirements for the course. A student who requests an advanced academic course during course selection is responsible for obtaining information about the summer assignment(s) for the course. *A student who does not successfully complete and submit the required summer assignment(s) for an advanced academic course prior to the communicated deadline will receive a zero for the assignment.*

Required Time Commitment & Work Ethic

Advanced academic courses are intended for students who have demonstrated both the highest level of academic achievement and commitment to hard work. Typically, successful advanced academics students are task-oriented students as well as proficient readers who are able to organize their time and who have parent/guardian support. Students who are already overextended with academics or extracurricular activities should seriously consider whether they have the time to devote to an advanced academic class and the number of advanced academic classes they can successfully undertake. Outside study time is generally at least one to two times the amount of time spent in class per week. Students who struggle with an advanced academics course are expected to commit themselves to a greater effort and seek regular support services, one of which may be tutoring.

Exit Guidelines for Advanced Academic Courses

The following guidelines apply for any student who wishes to exit an advanced academic course. Prior to any consideration to exit an advanced academic course:

1. It is expected that a student seek assistance when needed (e.g., tutorials) to be successful in the course.
2. It is expected that a student complete all assignments that are due for the course (includes taking advantage of the reassessment opportunities available); and
3. It is expected that a student will remain in the course for at least one semester.

A student requesting to exit an advanced academic course must petition the campus counselor in writing with a parent signature. The petition for exit will be considered during an exit conference with a campus administrator, the campus counselor, the student, the student's parent, and teacher.

The campus decision regarding whether to grant the petition to exit an advanced academic course must consider:

1. Input from the teacher;
2. The student’s academic performance in the course;
3. The student’s completion of assignments and attendance at recommended tutorials;
4. The availability of space in other courses;
5. The impact on the student’s schedule;
6. The timing of the request; and
7. Any extenuating circumstances.

A student experiencing success (able to maintain a C or better for the semester average) should remain in the course, unless there are other extenuating circumstances. A student who earns an “F” at the end of a grading period may be removed from the class unless otherwise recommended by the teacher and administrator.

Exam Requirement for Advanced Placement GPA Multiplier

For students who enter high school 2014 and after, **in order to receive the 1.25 weighted GPA multiplier**, students enrolled in Advanced Placement (AP) courses are required to take the corresponding AP examination.

Fees are reduced for students with proven financial need as evidenced through the free or reduced lunch program. Students who do not meet the requirements through the free or reduced lunch program but who are experiencing a financial hardship may submit a request for financial assistance to the campus principal for consideration.

Students taking AP classes but not taking the corresponding exam will not have fulfilled the requirements of the course and therefore will fall under one or more of the following categories:

1. Students who do not pay the AP exam fee by the end of the first nine-weeks may choose to remain in the AP class; however, the student **will not** receive the weighted GPA multiplier for either semester, as they will not have fulfilled the requirements of this agreement.
2. Students paying for the AP exam fee but drop the course at the end of the first semester or prior will be entitled to a refund; however, they **will not** receive the weighted GPA multiplier for the first semester. Students who remain in the class beyond the 1st semester will be obligated to remain in the AP class for the remainder of the school year.
3. Students who fail to show up to take the AP exam **will not** earn the weighted GPA multiplier for either semester. There will be no refunds for exam fees due to “no-shows” for the test. Students will also be responsible for the Unused Exam Fee of \$15.

Acknowledgment

I have read this agreement and would like to enroll in an advanced academic course. My signature indicates my understanding of the requirements and the policies explained and that I am prepared to fulfill these requirements.

Student Full Name (Please print.)

Student Signature

Date

I have read this agreement and would like my student to enroll in an advanced academic course. My signature indicates my understanding of the requirements and the policies explained and that I am prepared to adhere to these requirements.

Parent/Guardian Name (Please print.)

Parent/Guardian Signature

Date

Lago Vista ISD AP Capstone™ Program Application



Due to the campus counselor by May 1st.

Contact Information

Name	
Street Address	
City, State, ZIP Code	
Cell Phone	
Email Address	
Grade-Level Next Year	

Why do you want to participate in the AP Capstone™ program?

Academics

Please list the College Readiness, OnRamps, Dual Credit, and AP courses you are taking/have taken, and your current/final grade:

Student Signature

Date

Parent Signature

Date

Lago Vista ISD Application to Add a Performance Acknowledgment

Instructions: Please indicate the performance acknowledgment that you have completed and would like to have added to your official record. You must select the performance acknowledgment and the qualification that was met, as well as provide appropriate supporting documentation (e.g., test scores, college transcript, etc.). Please return this application and appropriate documentation to the campus registrar. Allow 15 business days to have this noted in official student records. Applications without supporting documentation will not be considered.

Student Information

Full Name: _____ Phone: _____

Grade Level: _____ Anticipated Year of Graduation: _____

Dual Credit Course Performance Acknowledgment

I have earned a performance acknowledgment for outstanding performance in a dual credit course by successfully completing:

- At least 12 hours of college academic courses with a grade of 3.0 or higher on a scale of 4.0, or
- An associate degree while in high school

Bilingualism and Biliteracy Performance Acknowledgement

I have earned a performance acknowledgment in bilingualism and biliteracy by demonstrating proficiency in accordance with local school district grading policy in two or more languages by completing all English language arts requirements and maintaining a minimum grade point average (GPA) of the equivalent of 80 on a scale of 100 (REQUIRED) and by satisfying one of the following:

- Completion of a minimum of three credits in the same language in a language other than English with a minimum GPA of 80 on a scale of 100; or
- demonstrated proficiency in the Texas Essential Knowledge and Skills for Level IV or higher in a language other than English with a minimum GPA of 80 on a scale of 100; or
- completion of at least three credits in foundation subject area courses in a language other than English with a minimum GPA of 80 on a scale of 100; or
- Earned a score of 3 or higher on a College Board AP exam for a language other than English; or
- Earned a score of 4 or higher on an IB exam for a higher-level languages other than English course;
or
- Performed on a national assessment of language proficiency in a language other than English of at least Intermediate High or its equivalent

In addition to meeting the requirements to earn a performance acknowledgment in bilingualism and biliteracy, an English language learner must also have:

- Participated in and met the exit criteria for a bilingual or English as a second language (ESL) program; and
- Scored at the Advanced High level on the Texas English Language Proficiency Assessment System (TELPAS).
- N/A

College Board Advanced Placement Performance Acknowledgement

I have earned a performance acknowledgment for outstanding performance on a College Board advanced placement test or International Baccalaureate examination by earning:

- A score of 3 or above on a College Board advanced placement examination
- A score of 4 or above on an International Baccalaureate examination

PSAT®, the SAT®, or the ACT® Performance Acknowledgement

I have earned a performance acknowledgment for outstanding performance on the PSAT®, the ACT-PLAN®, the SAT®, or the ACT® by:

- Earning a score on the Preliminary SAT/National Merit Scholarship Qualifying Test (PSAT/NMSQT®) that qualifies the student for recognition as a commended scholar or higher by the College Board and National Merit Scholarship Corporation, as part of the National Hispanic Recognition Program (NHRP) of the College Board or as part of the National Achievement Scholarship Program of the National Merit Scholarship Corporation
- Achieving the college readiness benchmark score on at least two of the four subject tests on the ACT-PLAN® examination
- Earning a combined critical reading and mathematics score of at least 1250 on the SAT®; or
- Earning a composite score on the ACT® examination of 28 (excluding the writing sub score)

Industry Certification or License Performance Acknowledgement

I have earned a performance acknowledgment for earning a nationally or internationally recognized business or industry certification or license with:

- Performance on an examination or series of examinations sufficient to obtain a nationally or internationally recognized business or industry certification, or
- Performance on an examination sufficient to obtain a government required credential to practice a profession. Nationally or internationally recognized business or industry certification shall be defined as an industry validated credential that complies with knowledge and skills standards promulgated by a nationally or internationally recognized business, industry, professional, or government entity representing a particular profession or occupation that is issued by or endorsed by a national or international business, industry, or professional organization, a state agency or government entity, or a state-based industry association.

Note: Certifications or licensures for performance acknowledgements shall: be age appropriate for high school students, represent a student's substantial course of study and/or end-of program knowledge and skills, include an industry recognized examination or series of examinations, an industry validated skill test, or demonstrated proficiency through documented, supervised field experience and, represent substantial knowledge and multiple skills needed for successful entry into a high-skill occupation.

Student Signature

Date



Lago Vista Independent School District

Excellence in ALL We Do!

8039 Bar-K Ranch Road
P.O. Box 4929
Lago Vista, TX 78645

(512) 267-8300

www.lagovistaisd.net

It is the policy of Lago Vista Independent School District not to discriminate on the basis of race, color, national origin, sex or handicap in any programs, services or activities as required by Title VI of the Civil Rights Act of 1964, as amended; Title IX of the Education Amendments of 1972; and Section 504 of the Rehabilitation Act of 1973, as amended. For information about your rights, or grievance procedures, contact Darren Webb, Superintendent, 8039 Bar-K Ranch Road, Lago Vista, TX 78645, 512-267-8300.

Es norma de Lago Vista Distrito Escolar Independiente de no discriminar por motivos de raza, color, origen nacional, sexo o impedimento, en sus programas, servicios o actividades, tal como lo requieren el Título VI de la Ley de Derechos Civiles de 1964, según enmienda; el Título IX de las Enmiendas en la Educación, de 1972, y la Sección 504 de la Ley de Rehabilitación de 1973, según enmienda. Para información sobre sus derechos o procedimientos para quejas, comuníquese con Darren Webb, Superintendente, 8039 Bar-K Ranch Road, Lago Vista, TX 78645, 512-267-8300.